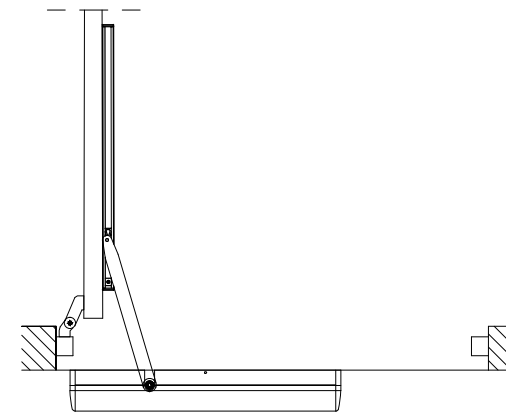
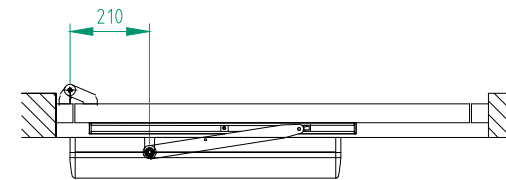
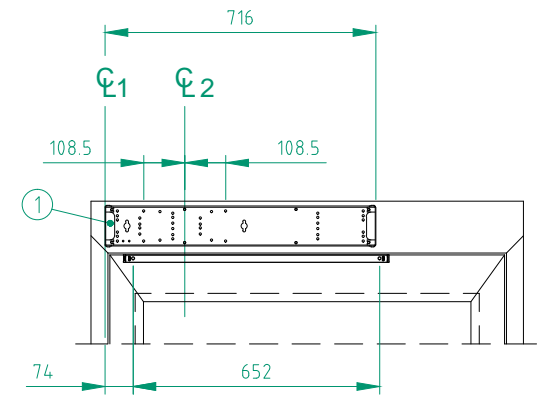


- ØF1 Hinges
- ØF2 Operator drive shaft
- A Reveal max. 50mm
- 1 Cable inlet
- 2 Reinforcements required in door leaf and at fixing holes

Note! Max. door leaf width 1200mm
 Max. door leaf weight 120kg



Y=	Shaft extension
56	0
76	20
106	50
126	70

Customer:

Ref:

Door id:

Date:

Project No:

Sign:

ASSA ABLOY PowerSwing
 Arm system PULL (as pushing)

Swing door operator

ASSA ABLOY

7.0

173780-en