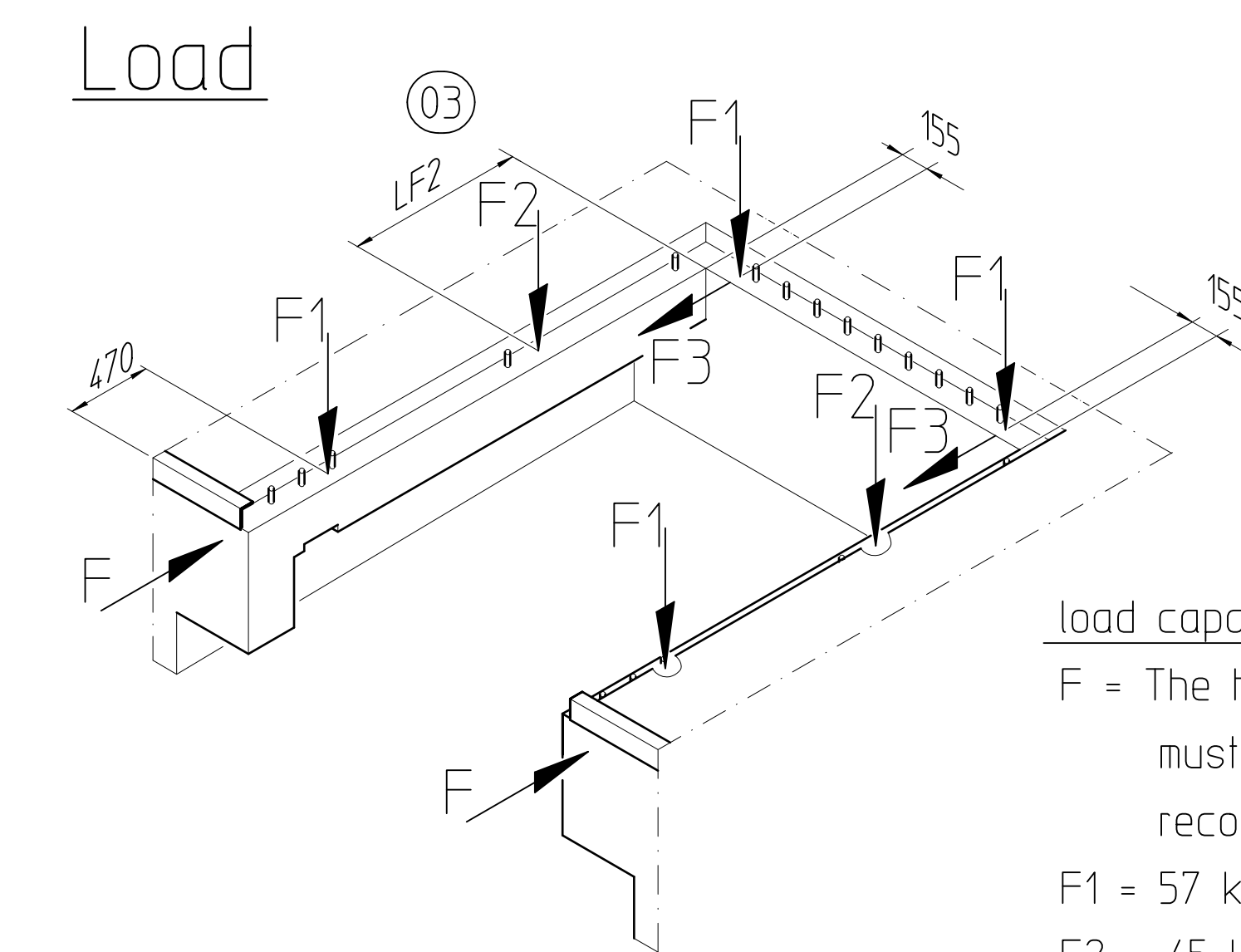
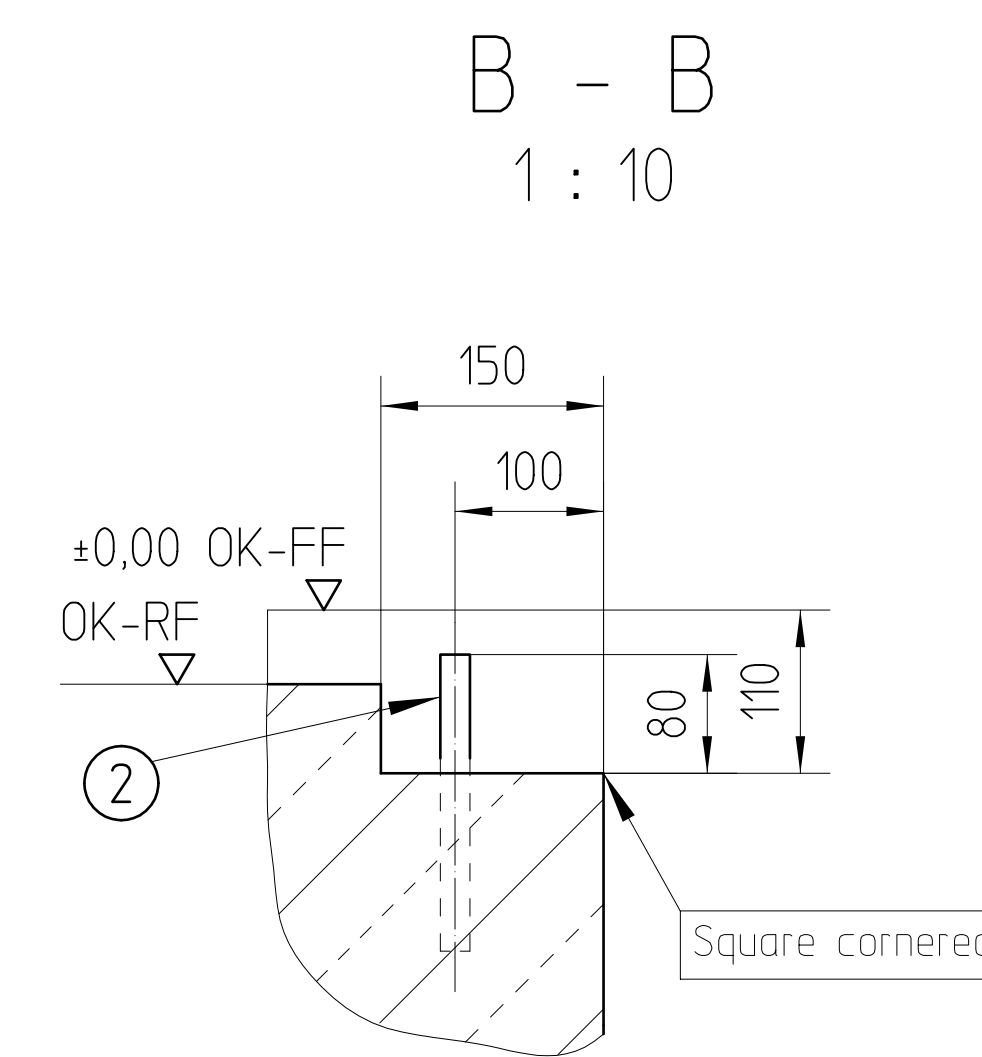
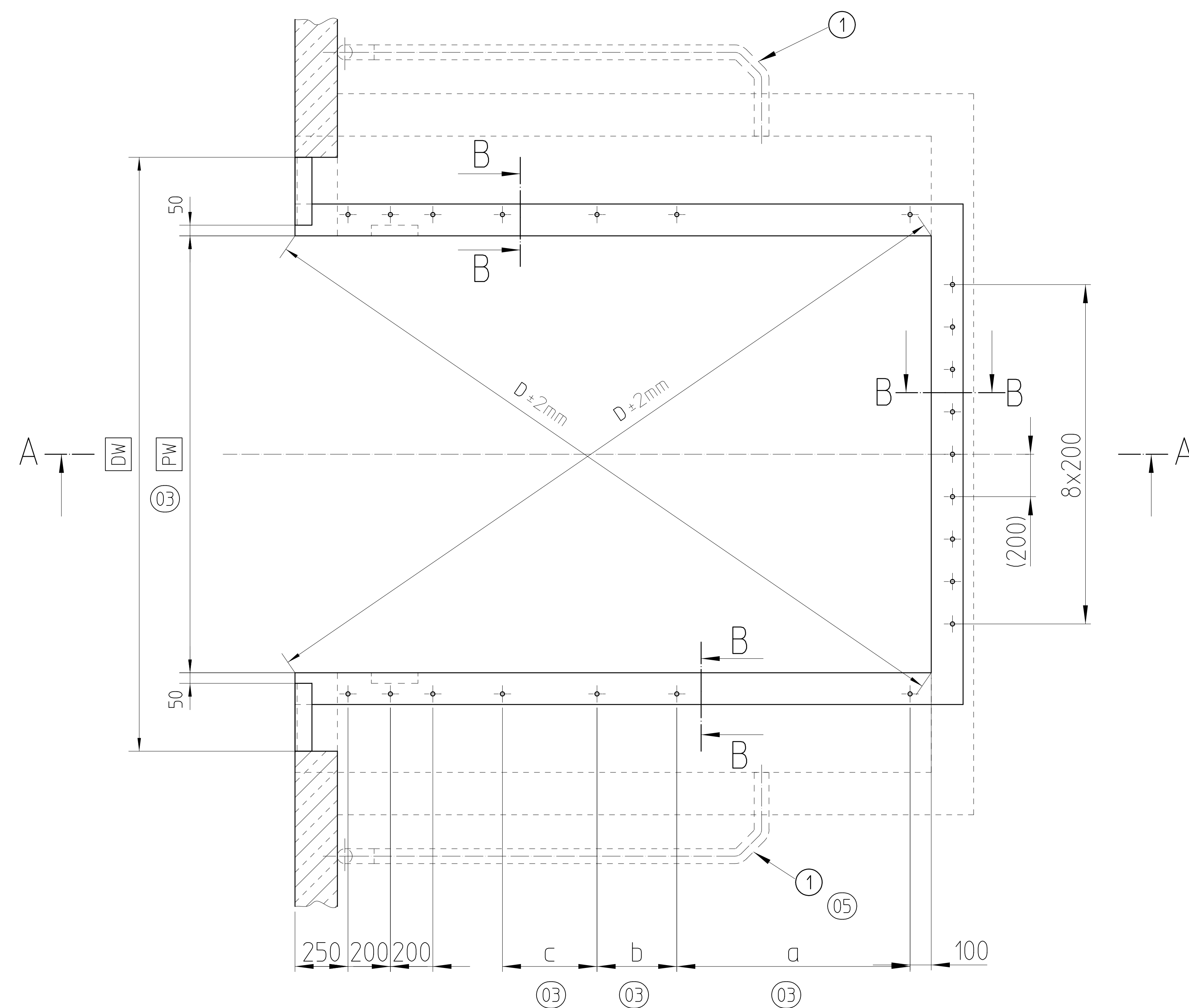


Check the minimum depth for tail - lift
recommendation = 3000 mm



Load

load capacity 60 kN
F = The horizontal impact load (100 kN) must be absorbed by the structure, recommended according to DIN 1055-9
F1 = 57 kN (cross traffic position)
F2 = 45 kN (emergency stop)
F3 = 12 kN (brake force)

| | |
|------|------|
| NW | PW |
| 2000 | 2060 |

| | | | |
|-----|------|------|------|
| NL | 3000 | 3500 | 4000 |
| LH | 800 | 900 | 930 |
| n | 19 | 21 | 23 |
| LF2 | 1000 | 1200 | 1700 |
| e | 2200 | 2500 | 2500 |
| a | 1100 | 1100 | 810 |
| b | - | 570 | 810 |
| c | - | - | 810 |
| LP | 950 | 1150 | 1150 |

03

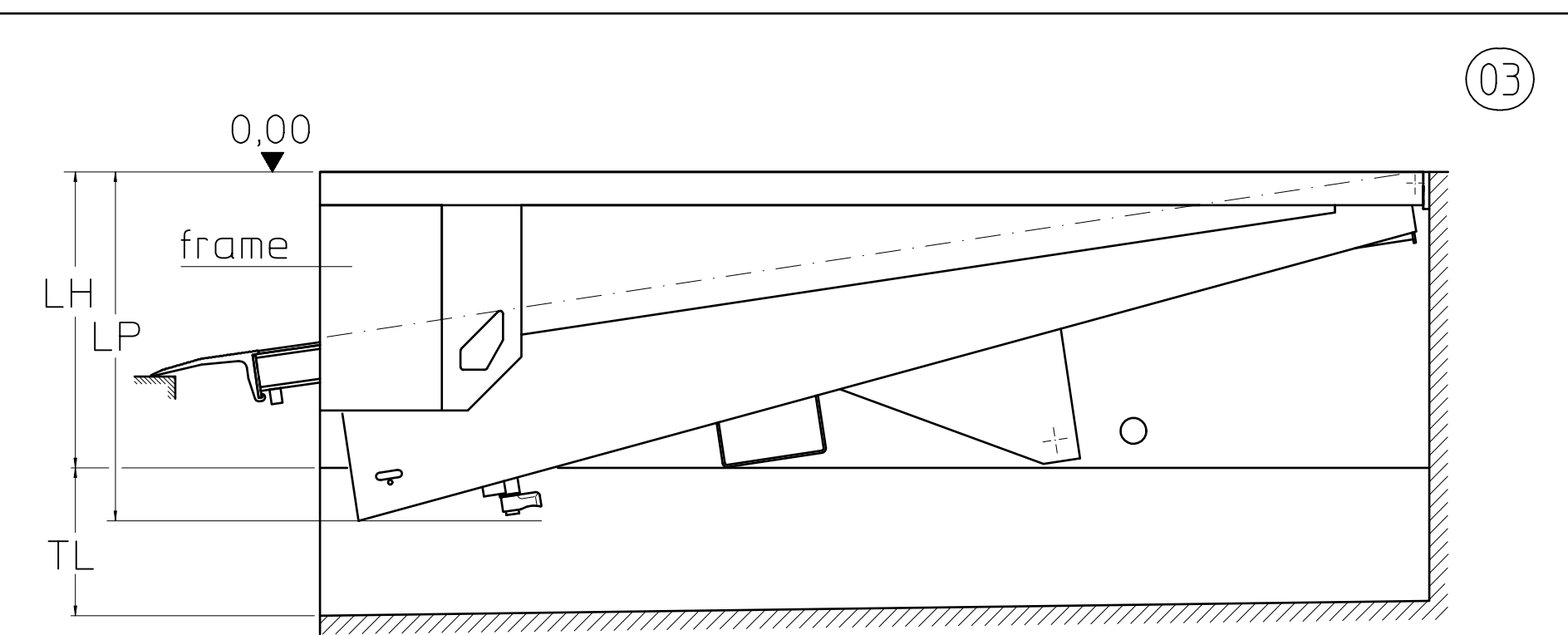
DH = Dock height
DW = Door width
OK-FF = Finish floor level
OK-RF = Floor base
OK-H = Yard level
PL = Pit length
PW = Pit width
NL = Nominal length
NW = Nominal width
LH = Leveller height
n = number fish-tails
LP = lowest position of dock leveller (below the frame) see product data sheet
TL = tail-lift

by others 05

① Conduit for wiring internal diameter min.70mm; angles <45° (Left/right, acc. specification of sales company)
② Plain steel dowel Ø20 -200mm
③ Steel profile, e.g. angle 120x80x10

Attention

- Do not deviate from measurements given.
- The pit walls must be vertical.
- The corners of the pit must be square (diagonals must be equal)
- The preparation of the pit and dowels by others.



It is forbidden by law to copy, duplicate this document, to transmit it to any third party or to misuse it in any way. The drawing remains our property and is to be returned immediately after use.

General tolerance EN ISO 13920-BF

Version: 7

Material: Semifinished product:
Printed: 04.02.2015
Scale: 1 : 25
Weight:

Date: 20.02.2009
Name: bra
Drawn: bra
Released: 04.02.2015
Blocked: Becze
Archived:

Subject: DL6030C combidock type T with tail lift

Drawing Number: 5143.0125
Replaced by:

Sheet: 2
2 Sheets
Format: A2

ASSA ABLOY
ASSA ABLOY Entrance Systems

| Index | Modification | Date | Name |
|-------|--------------|------------|------|
| 07 | mod-no 02-15 | 04.02.2015 | bra |
| 06 | mod-no 12-14 | 07.05.2014 | bra |
| 05 | mod no 09-14 | 31.03.2014 | bra |
| 04 | mod-no.12-13 | 05.12.2013 | bra |
| 03 | modify | 01.08.2011 | bra |
| 02 | modify | 20.02.2009 | bra |