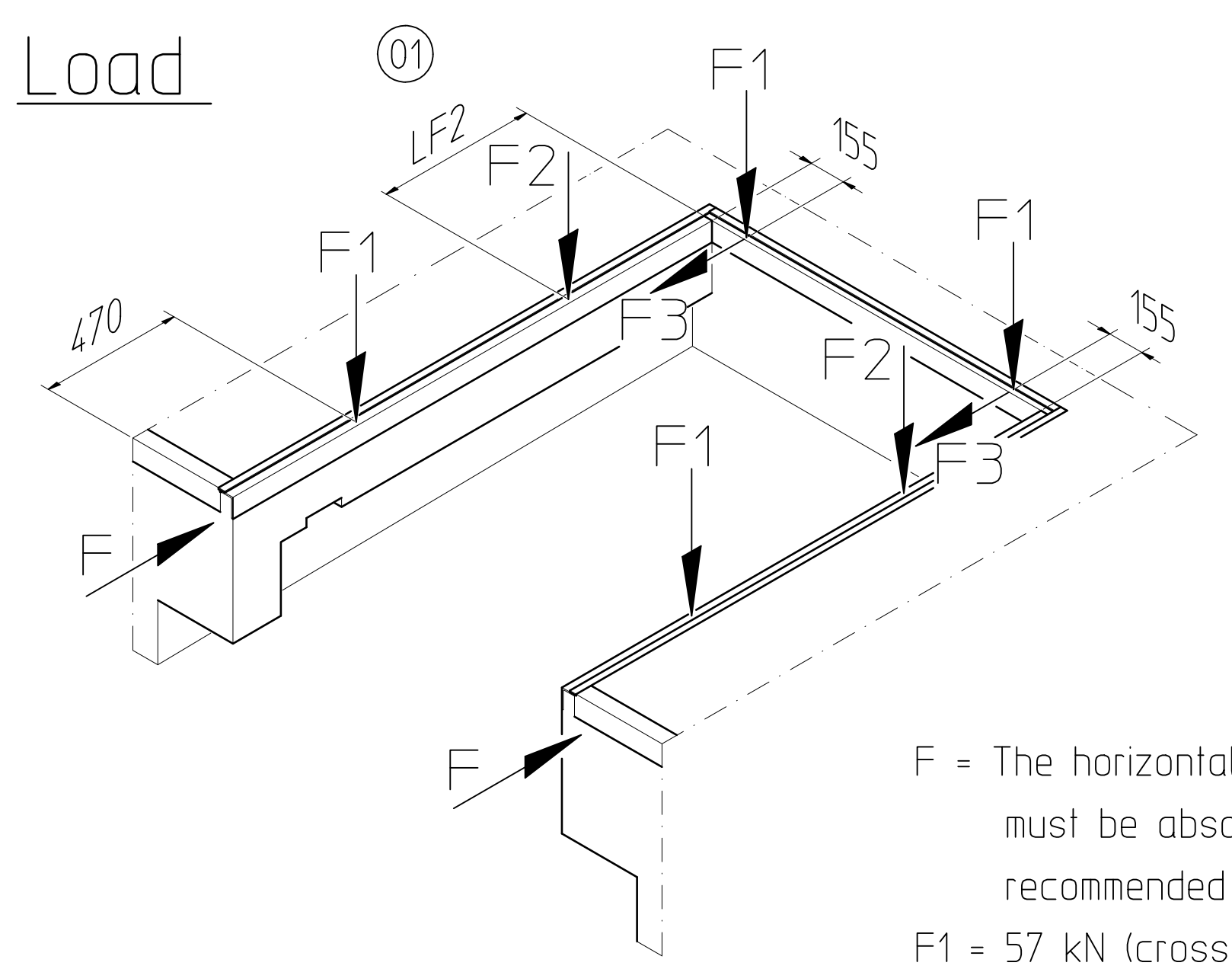
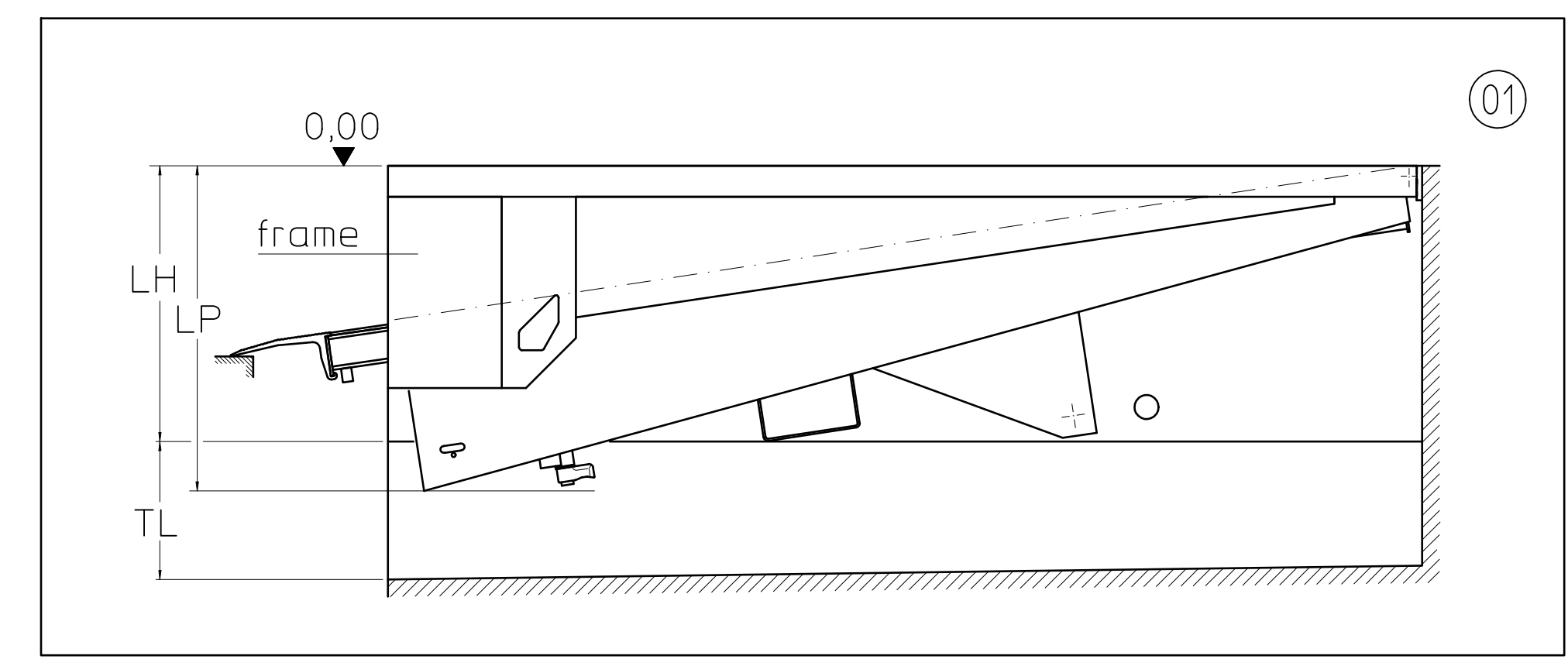


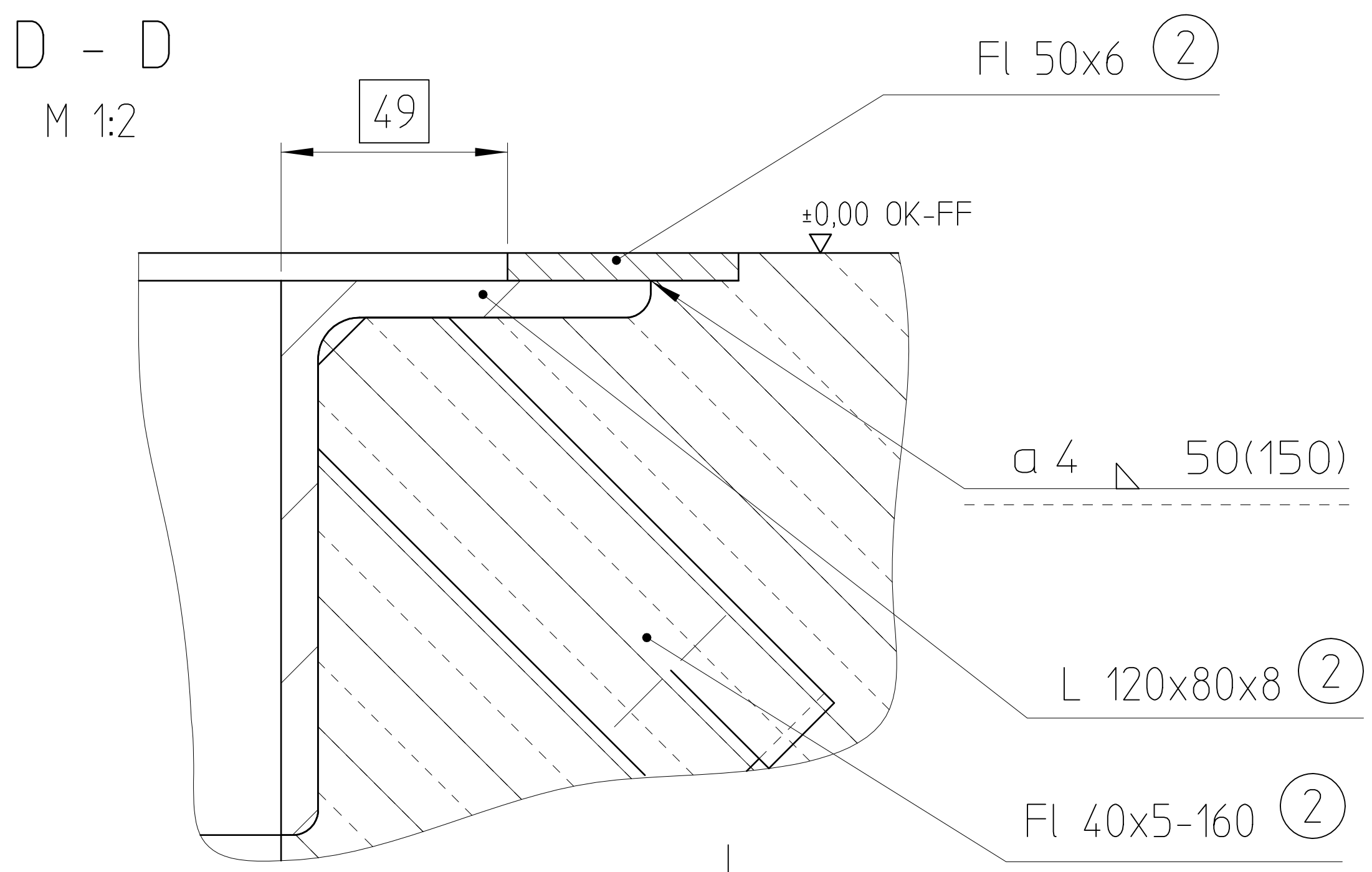
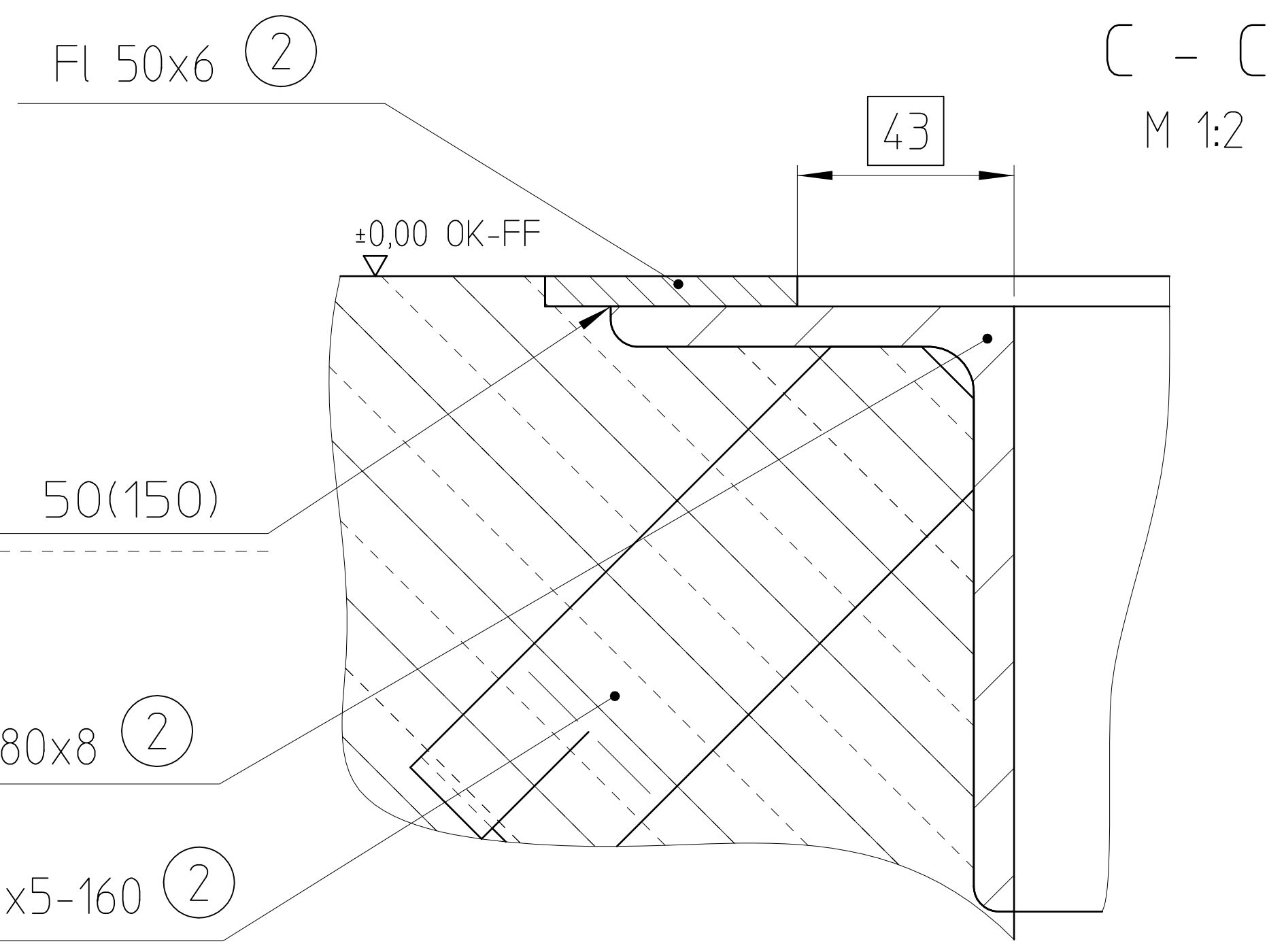
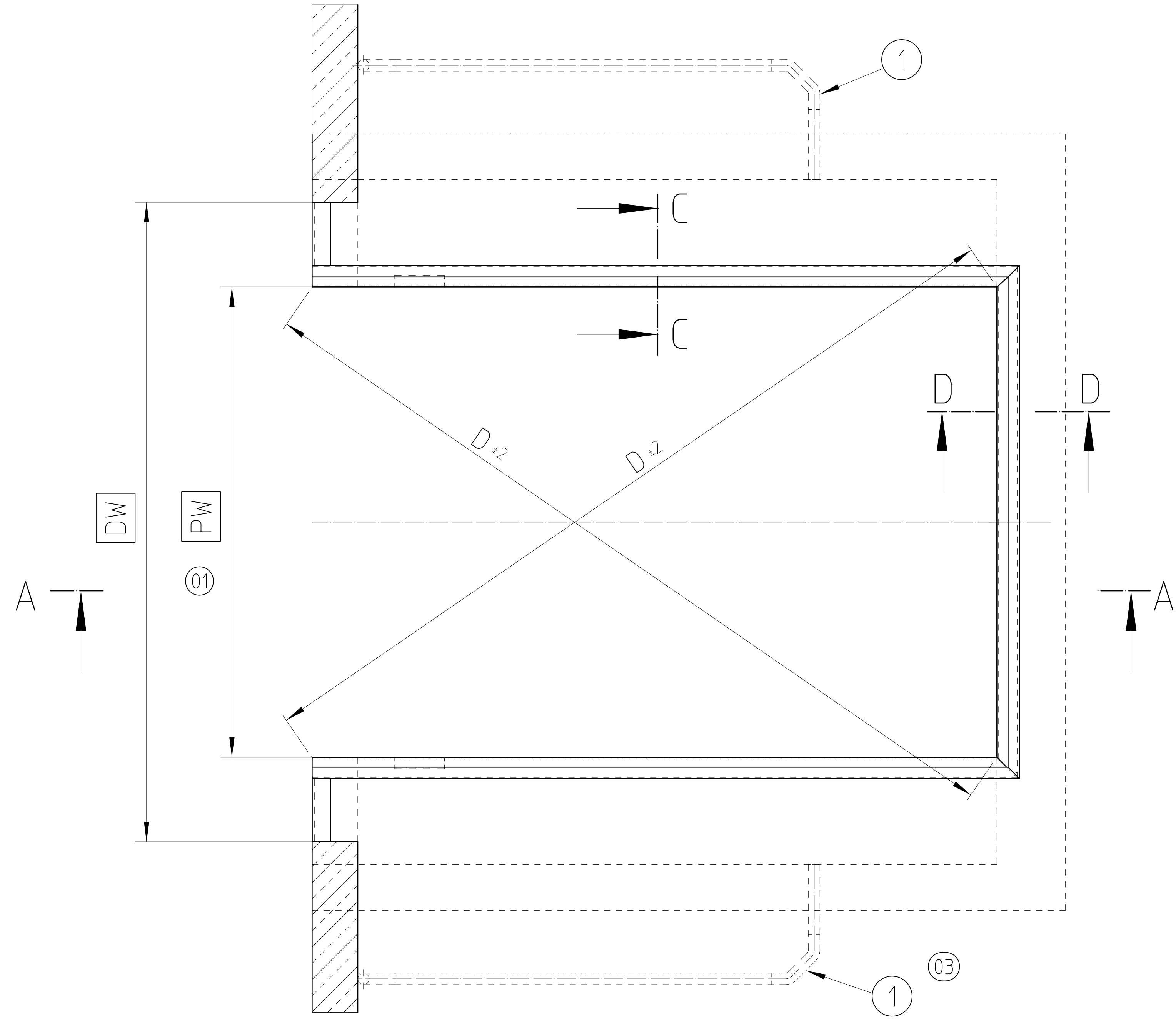
Check the minimum depth for tail - lift recommendation = 3000 mm



F = The horizontal impact load (100 kN) must be absorbed by the structure, recommended according to DIN 1055-9
 F1 = 57 kN (cross traffic position)
 F2 = 45 kN (emergency stop)
 F3 = 12 kN (brake force)

NW	PW
2000	2060

NL	3000	3500	4000
LH	800	900	930
LF2	1000	1200	1700
e	2200	2500	2500
LP	950	1150	1150



DH = Dock height
 DW = Door width
 OK-FF = Finish floor level
 OK-H = Yard level
 PL = Pit length
 PW = Pit width
 NL = Nominal length
 NW = Nominal width
 LH = Leveller height
 LP = lowest position of dock leveller (below the frame) see product data sheet
 TL = tail-lift

by others 03
 ① Conduit for wiring internal diameter min.70mm; angles <45° (Left/right, acc. specification of sales company)
 ② Cast in frame
 ③ Steel profile, e.g. angle 120x80x10

Attention
 - Do not deviate from measurements given.
 - The pit walls must be vertical.
 - The corners of the pit must be square (diagonals must be equal)
 - The preparation of the pit by others (incl. steel).

It is forbidden by law to copy, duplicate this document, to transmit it to any third party or to misuse it in any way. The drawing remains our property and is to be returned immediately after use.				General tolerance EN ISO 13920-BF		Material:		Semifinished product:		Version: 6
				Date	Name	Scale: 1 : 25		Weight:		
				Drawn	20.02.2009	bra		Subject:		
				Released	04.02.2015	Becze		DL6030C combidock type W with tail lift		
				05	mod-no 02-15	04.02.2015	bra	Archived		
				04	mod-no 12-14	07.05.2014	bra	Archived		
				03	mod-no 09-14	31.03.2014	bra	Archived		
				02	mod-no.12-13	05.12.2013	bra	Archived		
				01	modify	03.08.2011	bra	Archived		
Index				Modification	Date	Name	Drawing Number:		Sheet: 2	
							ASSA ABLOY		5143.0238	
							ASSA ABLOY Entrance Systems		2 Sheets	
							Replaced by:		Format: A2	