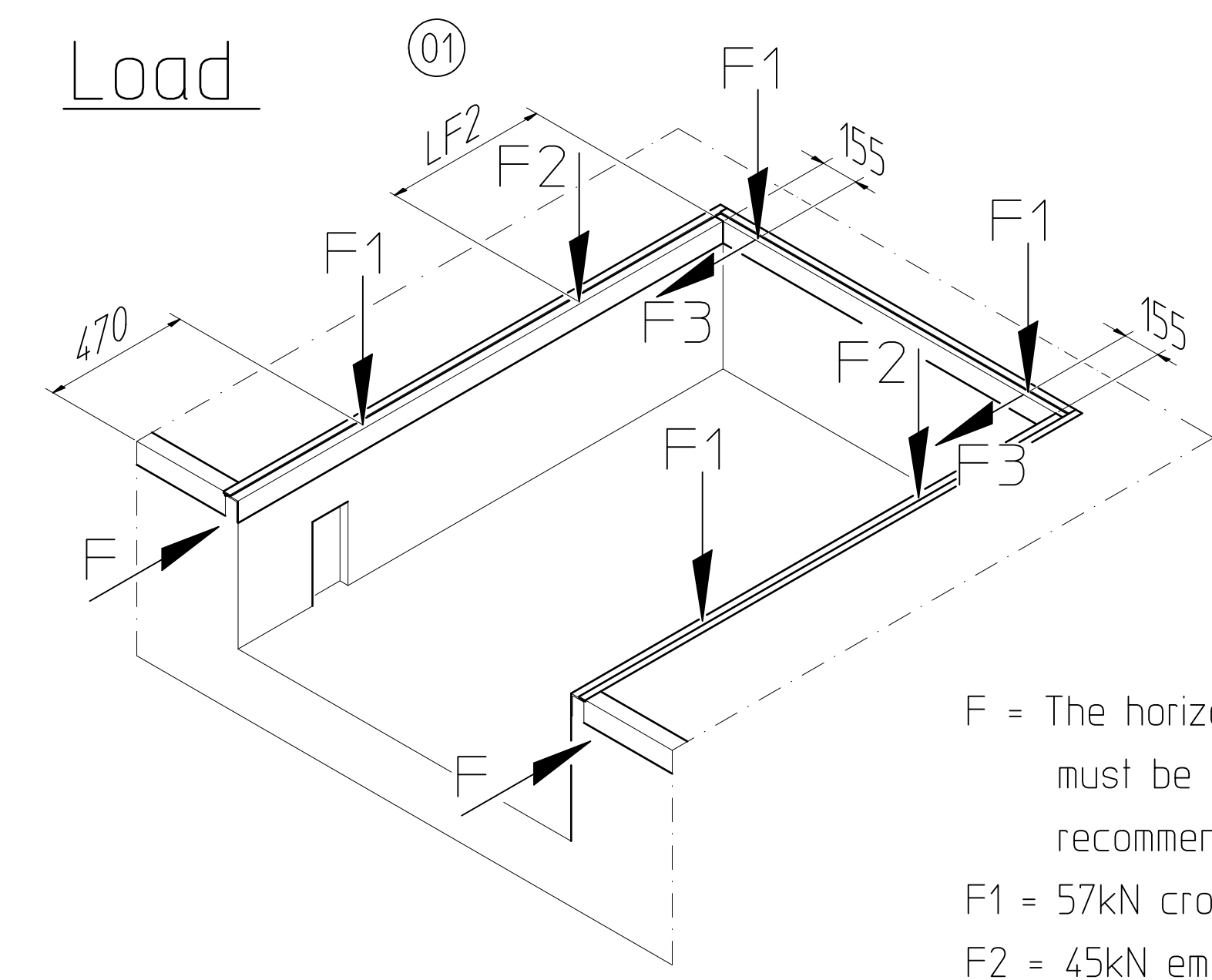
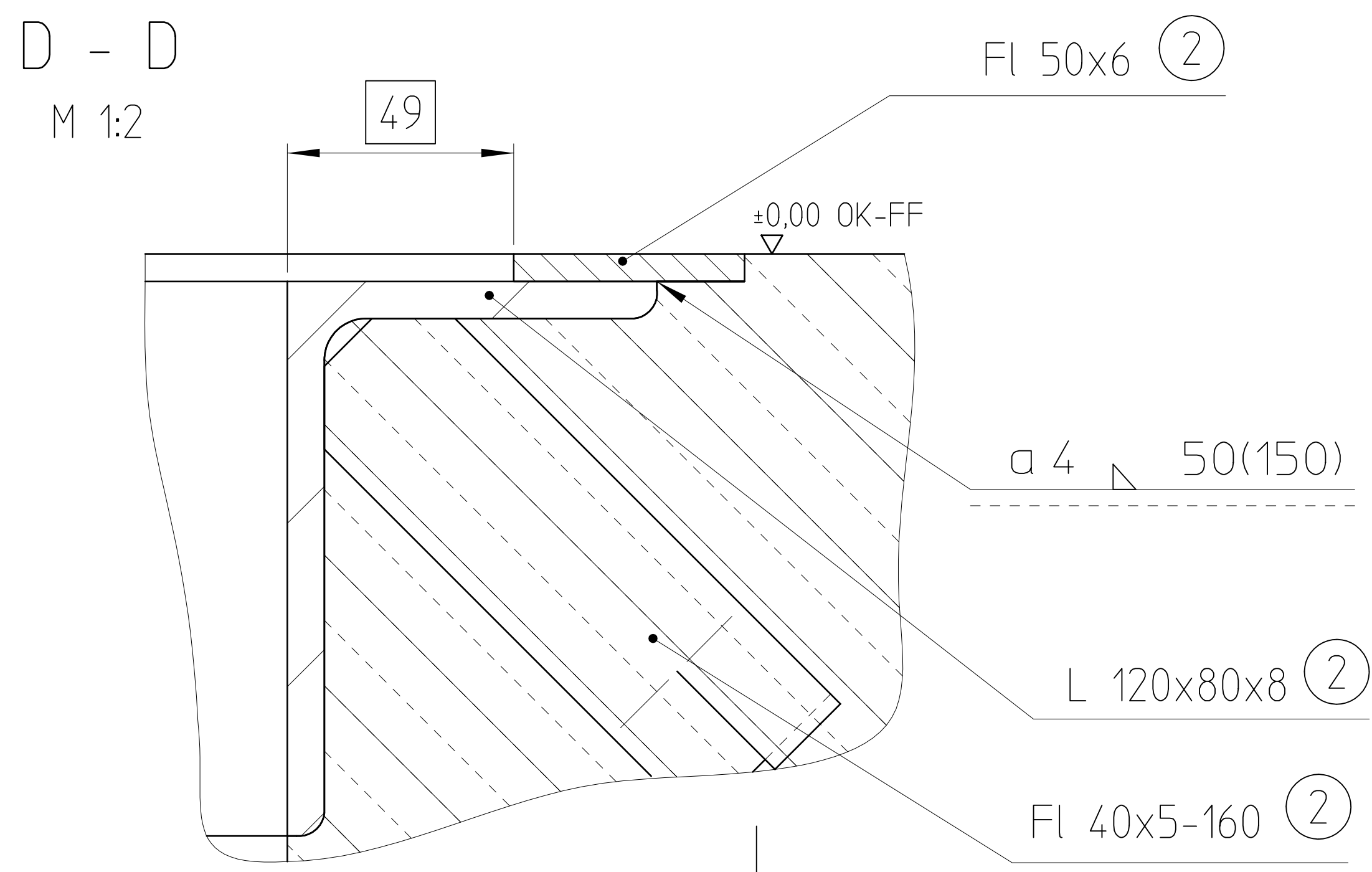
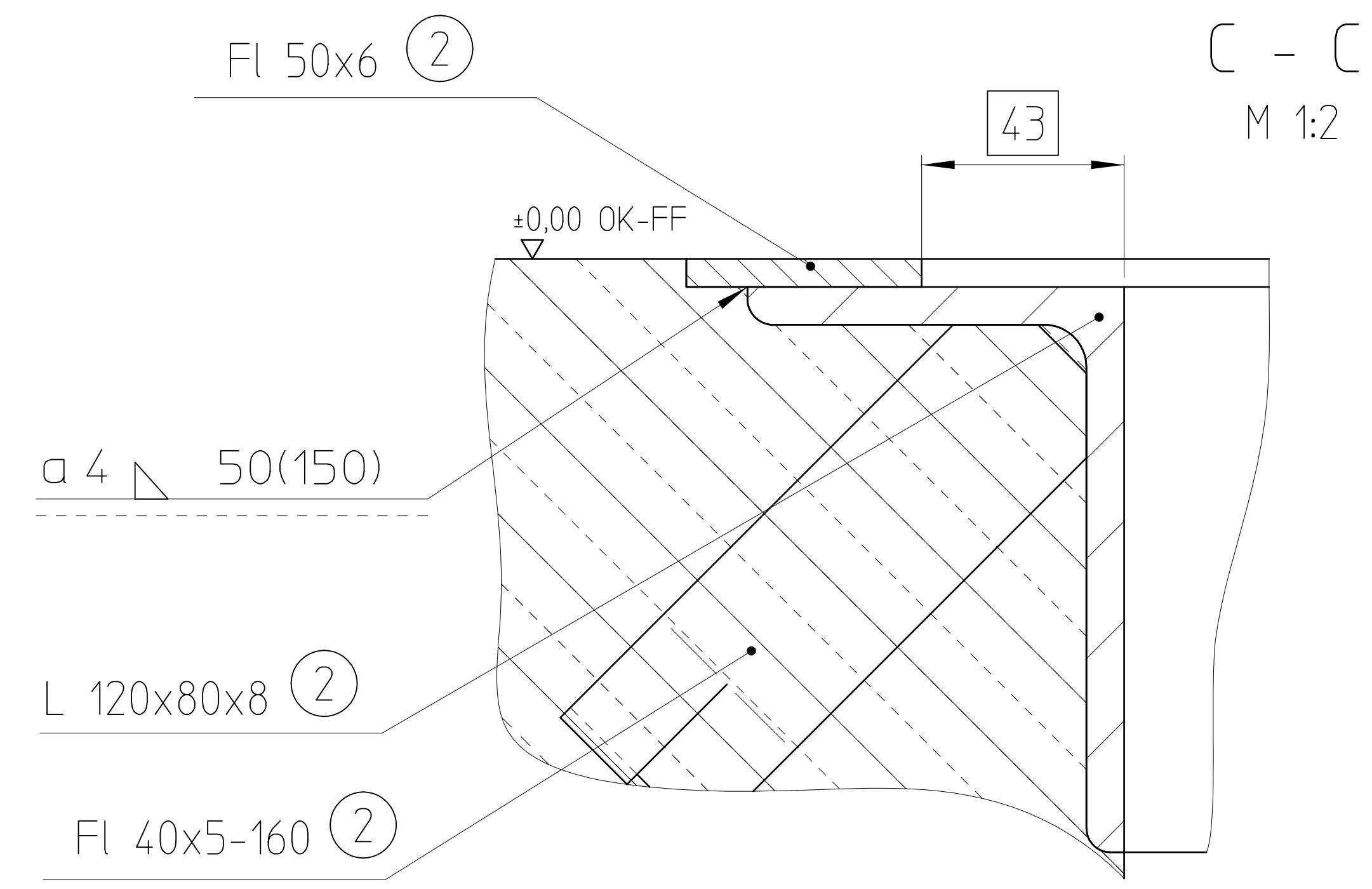


NW	PW
2000	2060

NL	3000	3500	4000
LH	800	900	930
LF2	1000	1200	1700
e	2200	2500	2500
PD	960	1160	1160



F = The horizontal impact load (100kN) must be absorbed by the structure, recommended according to DIN 1055-9
 F1 = 57kN cross traffic position
 F2 = 45kN emergency stop
 F3 = 12 kN brake force



DH = Dock height
 DW = Door width
 OK-FF = Finish floor level
 OK-H = Yard level
 PL = Pit length
 PW = Pit width
 PD = Pit depth
 NL = Nominal length
 NW = Nominal width
 LH = Leveller height

by others
 01 Conduit for wiring internal diameter min.70mm, angles < 45° (Left/right, acc. specification of sales company)
 02 Cast in frame
 03 Steel profile, e.g. angle 120x80x10

Attention
 - Do not deviate from measurements given.
 - The pit walls must be vertical.
 - The corners of the pit must be square (diagonals must be equal)
 - The preparation of the pit by others (incl. steel).

It is forbidden by law to copy, duplicate this document, to transmit it to any third party or to misuse it in any way. The drawing remains our property and is to be returned immediately after use.

General tolerance EN ISO 13920-BF		Date	Name
Drawn	23.02.2009	bra	Becze
Released	04.02.2015	bra	Becze
Blocked			
Archived			

Material:	Semifinished product:	Version:
Printed: 04.02.2015	Weight:	6
Scale: 1 : 25	Subject: DL6030C combidock type W without tail lift	
Drawing Number: 5143.0239		Sheet: 2
Replaced by:		2 Sheets
		Format: A2

ASSA ABLOY
 ASSA ABLOY Entrance Systems