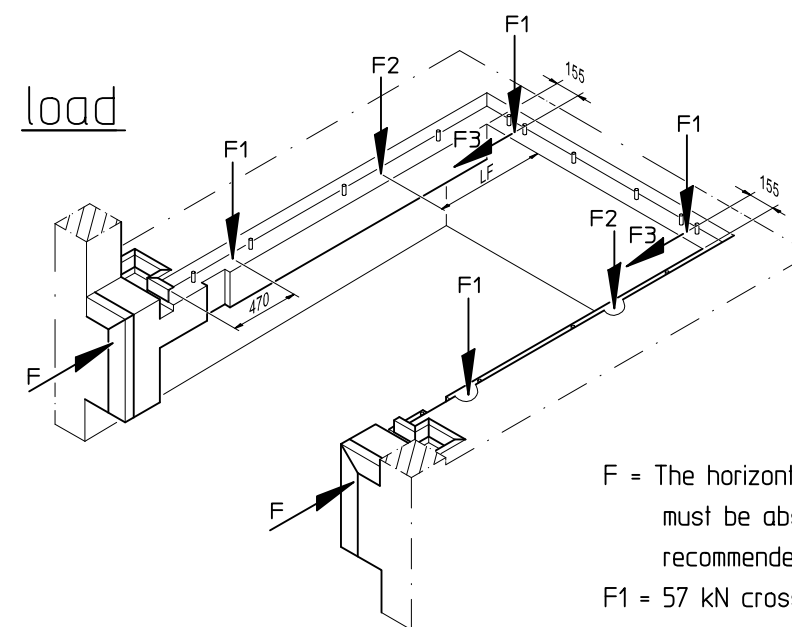
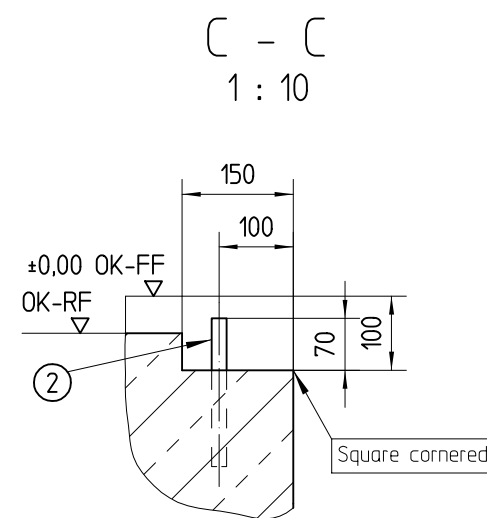
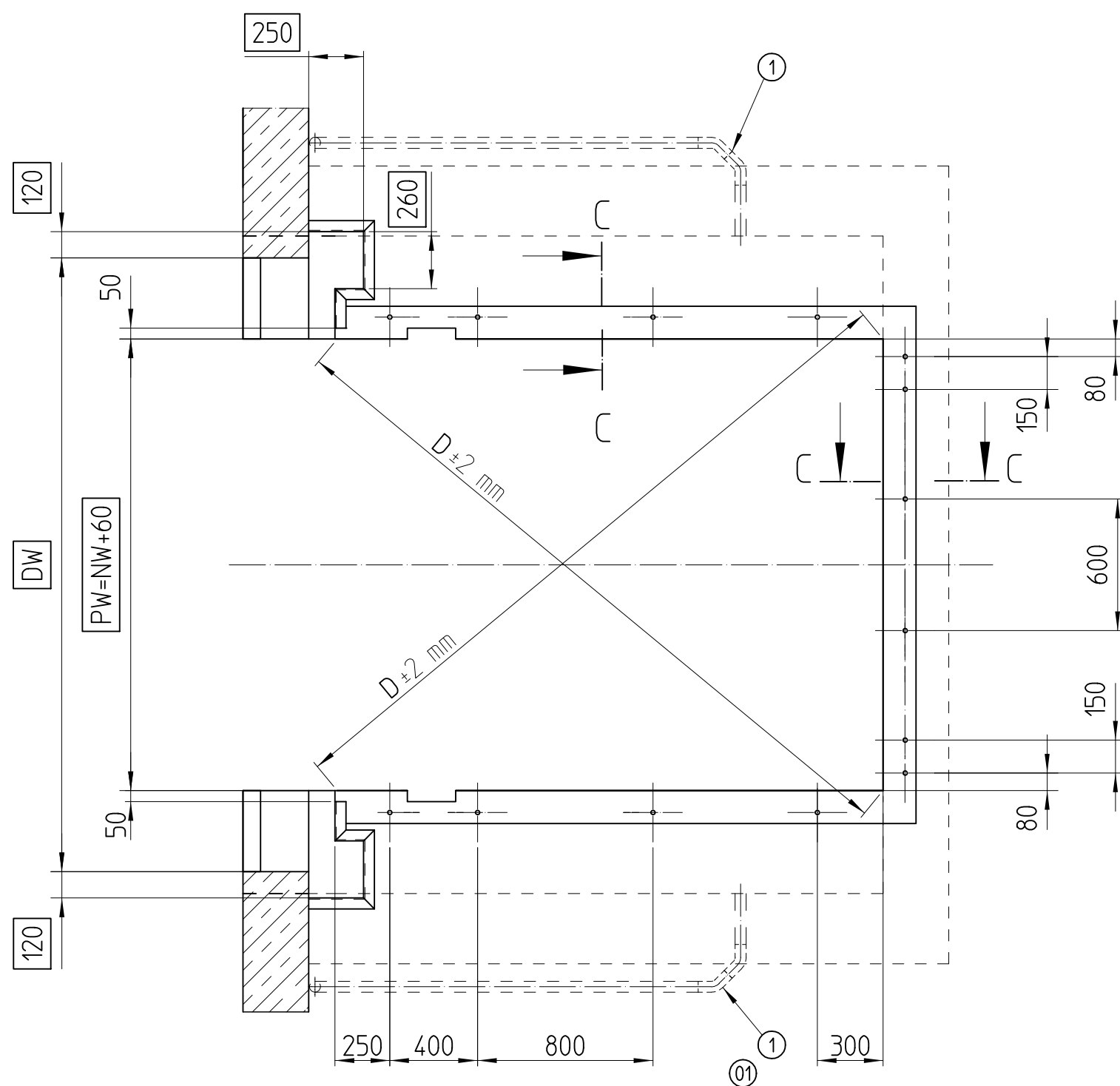


Check the minimum depth for tail-lift recommendation = 3000 mm



F = The horizontal impact load F (100 kN) must be absorbed by the structure, recommended according to DIN 1055-9  
 F1 = 57 kN cross traffic position  
 F2 = 45 kN emergency stop  
 F3 = 12 kN brake force

DH = Dock height  
 DW = Door width  
 OK-FF= Finish floor level  
 OK-RF= Floor base  
 OK-H = Yard level  
 PL = Pit length  
 PW = Pit width  
 NL = Nominal length  
 NW = Nominal width  
 LH = Leveller height  
 n = number fish-tails  
 WT = Wall thickness

by others

- ① Conduit for wiring internal diameter min.70mm; angles < 45° (Left/right, acc. specification of sales company)
- ② Plain steel dowel ø20 -200mm
- ③ Steel profile, e.g. angle 160x80x10
- ④ Steel profile, e.g. angle 100x50x6

Attention

- Do not deviate from the measurements given
- The pit walls must be vertical
- The corners of the pit must be square (diagonals must be equal)
- The preparation of the pit and the dowels by other

NL	2000	2500	3000
PL	2020	2520	3020
LH	830	830	900
e	1850	1850	2100
LF	290	760	1000
n	14	14	14

NW	PW
2000	2060
2200	2260

The wall thickness WT has to be dimensioned under consideration of the vehicle impact-force F  
 Recommended : WT ≥ 300

It is forbidden by law to copy, duplicate this document, to transmit it to any third party or to misuse it in any way. The drawing remains our property and is to be returned immediately after use.				Version: 3	
General tolerance EN ISO 13920-BF		Material:		Semifinished product:	
Date: 01.03.2013		Name: bra		Scale: 1 : 25	
Released: 03.02.2015		Name: bb		Weight:	
Blocked:		Subject: DL6020TI teledock isodock Pit drawing		Drawing Number: 5145.0170	
Archived:		ASSA ABLOY Entrance Systems		Sheet: 1	
Index: Modification Date Name		Replaced by:		Format: A2	