

Disclaimer note  
This is a sketch, please do not scale

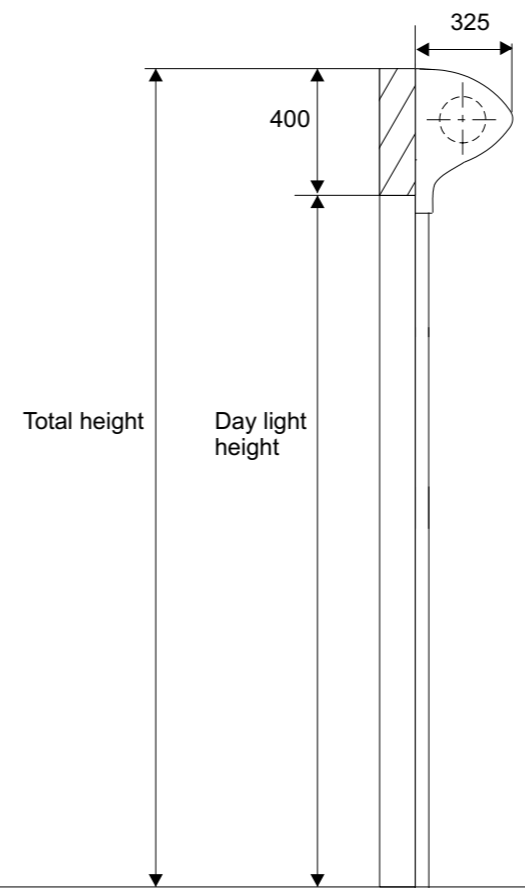
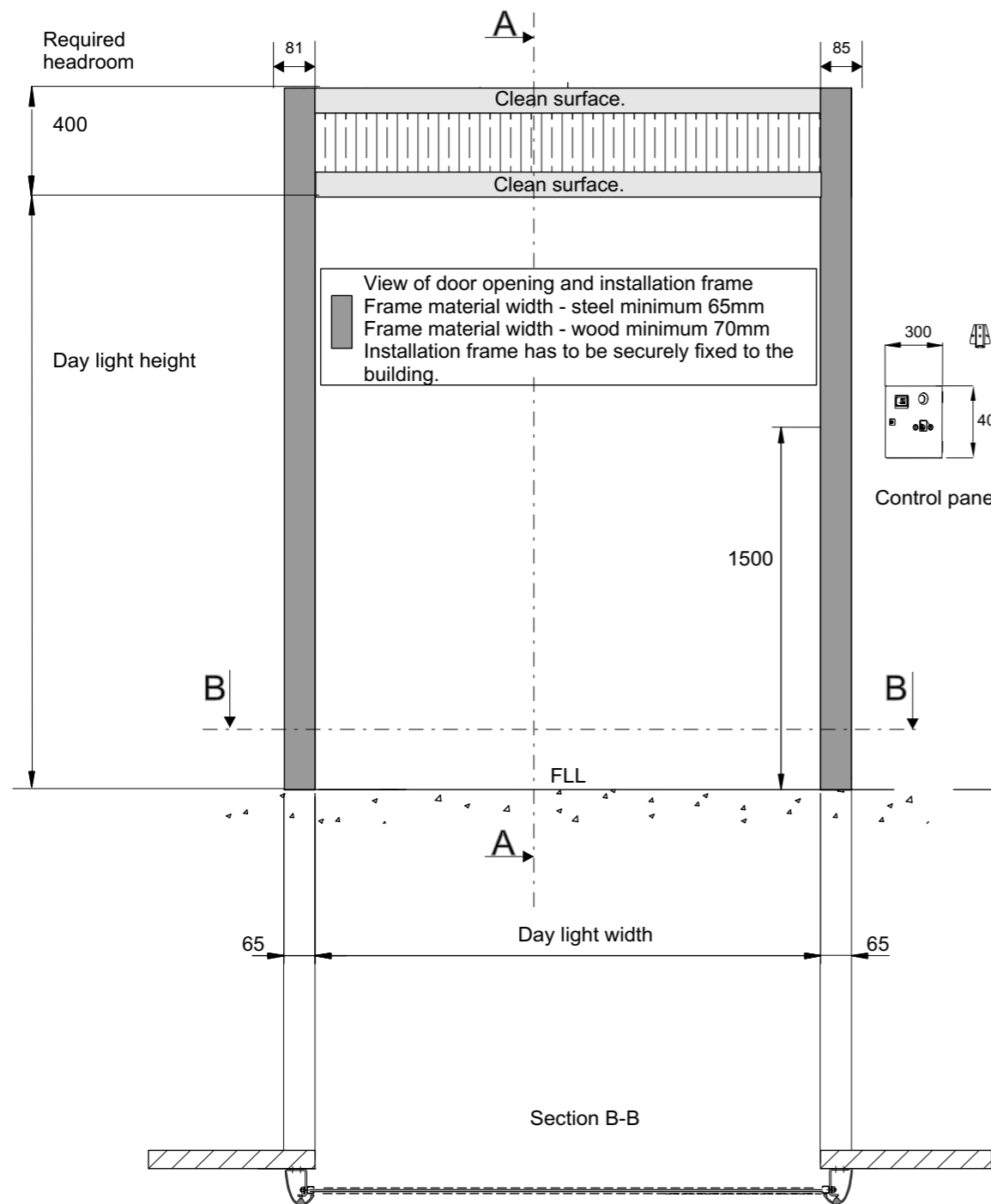
HS9030G, HS9030GHY, HS9030GAT, HS9030GEM Right

2010-02-19/RG

NR

502-2

Rev:5



Power supply for the operator:
16 Amp (max) per phase Voltage: 1-phase 230V or 3-phase 400V (+N)
Alternative 1. With CE-stick (by others) to be located within 0,5m from the control box.
Alternative 2. With isolator (by others) adjacent to the control unit
Alternative 3. To be installed direct (by others) in to the control box.

Required space within the building from the installation frame  
 Connection area in line with side frames

**NB! Required built in space**  
 All dimensions indicated are net: It will be necessary to add the required space for installation and maintenance.  
 Reduced dimensions: on request.  
 Top + 200, motor side +100, Front +300

ASSA ABLOY contact

Pos	Quantity	Day light width	Day light height	Depth	Side space left	Side space right	Total height	Power supply
				325	65	65		Alternative

Quote/Ordernumber	
Date	
Drawn by	

Project:

Notes:

**ASSA ABLOY**

[www.assaabloyentrance.com](http://www.assaabloyentrance.com)