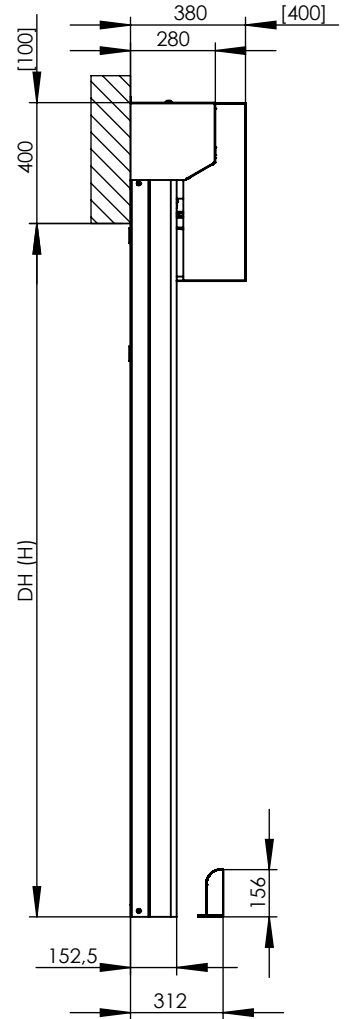
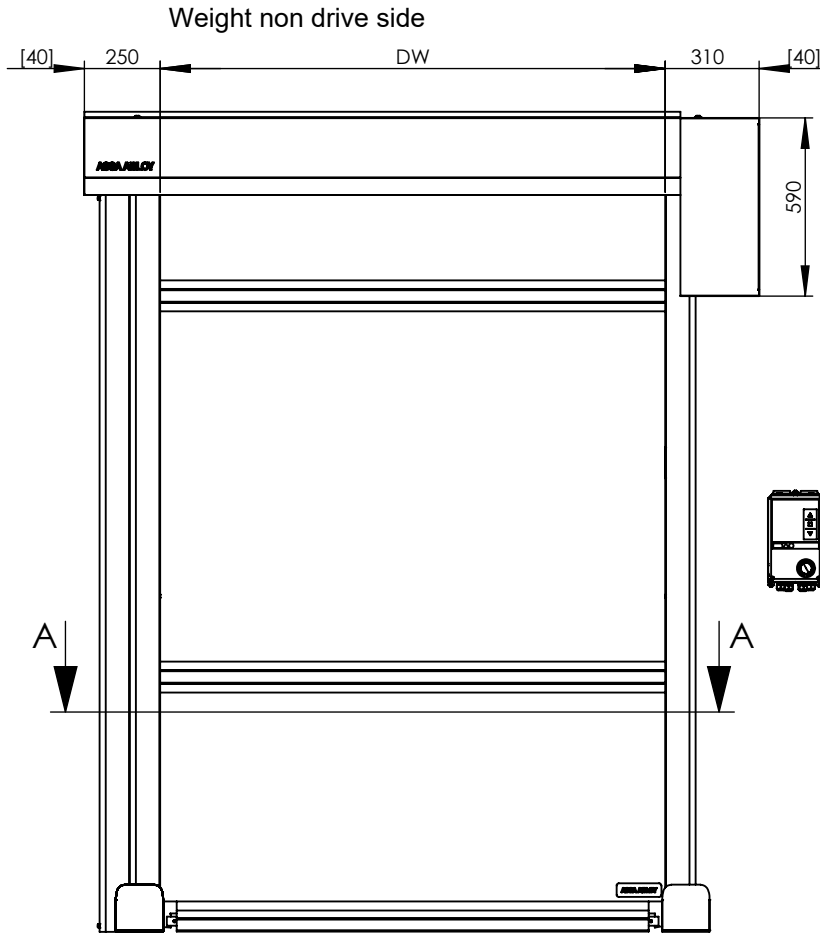
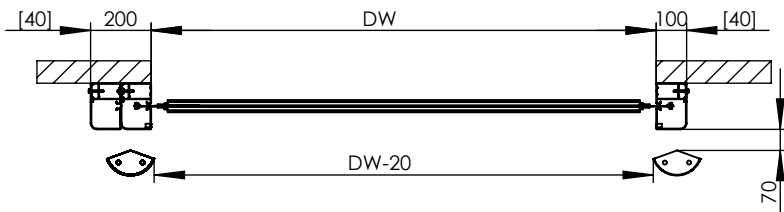


General Drawing RR300 Retail

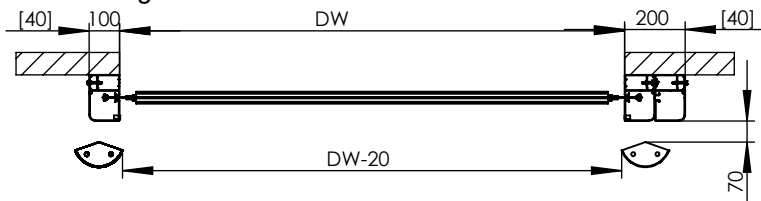
ASSA ABLOY



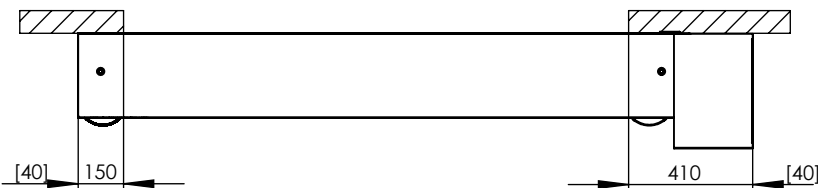
SECTION A-A
Weight non drive side



SECTION A-A
Weight drive side



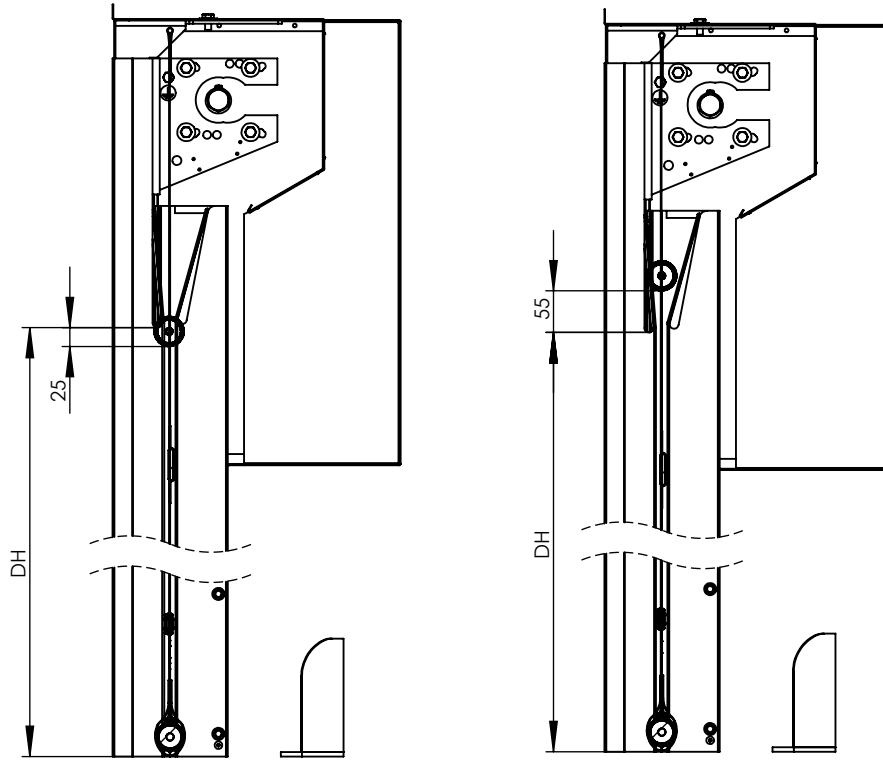
Weight drive side



Control Unit		Lieferbare Größen / Available sizes		
DCC 20			DW (B)	DH (H)
Dimensions control system BxHxT	182x328x102	min:	750	1600
		max:	2500	3000

9300R0017/2	Blatt 1
Stand: 2019-12-02	

This work is copyright and no part may be reproduced, by any process, nor may any other exclusive right be exercised without the permission of ASSA ABLOY.



in this range you can use the door DH-25mm to DH+55mm