

High-Performance Door

ASSA ABLOY RR3000 ISO

ASSA ABLOY
Entrance Systems

Experience a safer
and more open world

Fast speed meets excellent
thermal performance





THERMAL INSULATION

50mm thick insulated door panel.
Minimal heat loss. No condensation.
Outstanding U-Value.

CLEAN DESIGN

Side frames and covers feature clean design.

FAST SPEEDS

Opening speeds of up to 2.2m/s
helps maintain thermal performance while improving the flow of traffic.

The ASSA ABLOY RR3000 ISO combines the superior thermal performance of a sectional door with the fast speeds and operational efficiency of a high-performance door. This next generation, hybrid solution from ASSA ABLOY Entrance Systems opens and closes with maximum speed and minimum energy loss.



For distributors, logistic centers, public facility warehouses, general manufactures and much more – the ASSA ABLOY RR3000 ISO meets the requirements of highly specific and complex needs. Its thick thermal insulated door panel keeps indoor conditions stable and outdoor weather where it belongs. Plus, its attractive, modern design can enhance a building's facade.

Sustainable solutions for energy savings

Large, energy-hungry facilities face difficult environmental challenges. Entrance automation is the first step to controlling excessive energy usage and improving building performance and efficiency. The 50mm thick, thermal insulated door panel on the ASSA ABLOY RR3000 ISO features a thermal break within each door slat, ensuring minimal heat flow from inside to outside. This design guarantees optimal thermal performance, with minimal heat loss and no condensation. Improved sealing around the perimeter of the door limits air leakage and helps support an increased U-Value. The ASSA ABLOY RR3000 ISO can optimize the energy-performance of any building and help you meet your sustainability goals.

All-weather design for all day operation

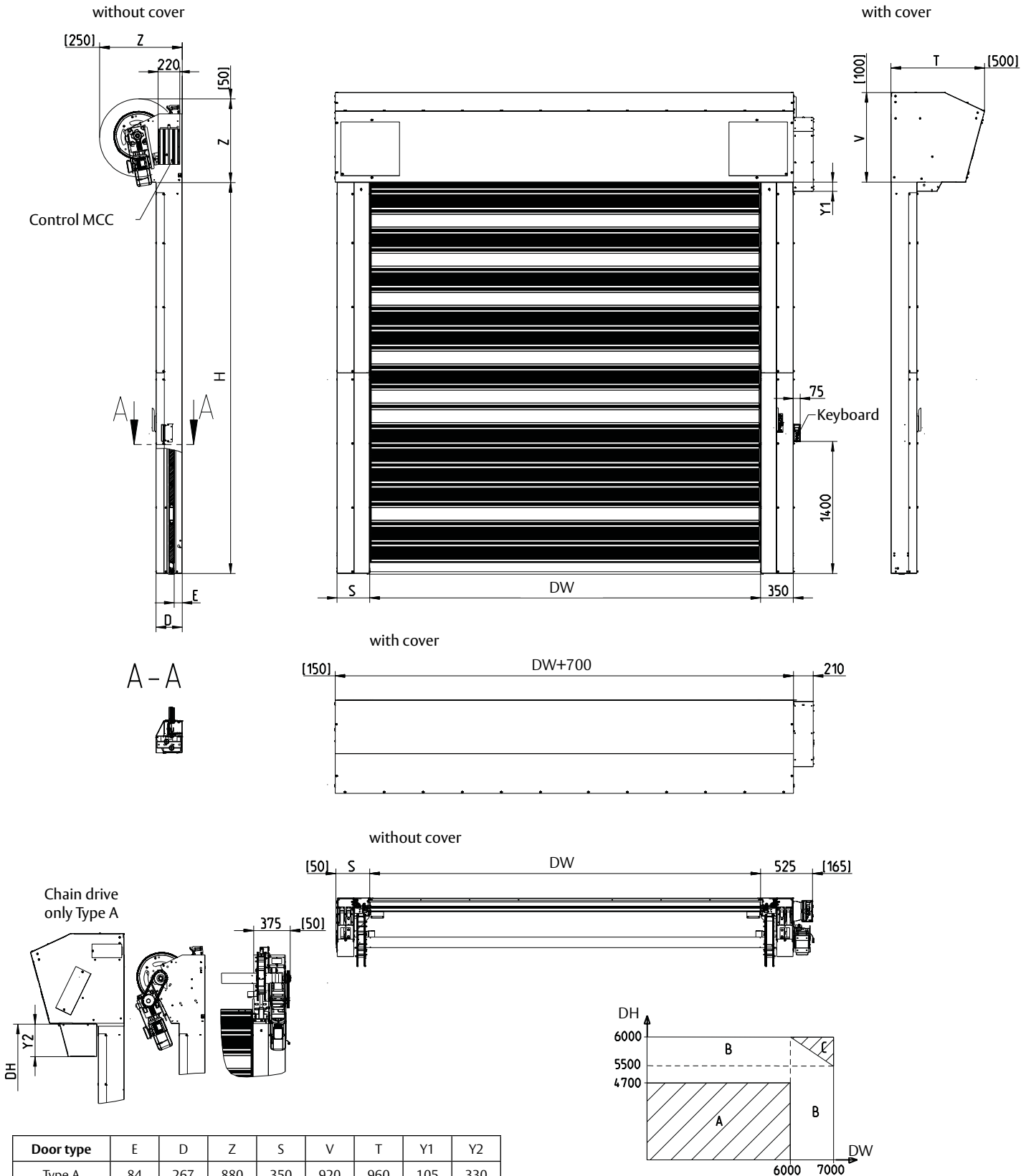
The ASSA ABLOY RR3000 ISO has a seamless construction with no hinges, brackets or rollers for continuous usage and smooth operations all day, every day. The door panel is designed to prevent the slats from touching one another as the door rolls up and down. This makes the ASSA ABLOY RR3000 ISO incredibly quiet, durable and less sensitive to wear and tear. These smart design elements also make the ASSA ABLOY RR3000 ISO simple to maintain. In high traffic areas, doors face the risk of being impacted. If the ASSA ABLOY RR3000 ISO is hit, the damaged slat can be easily removed and replaced in minutes, while the door remains operational and business keeps running.

Lamella-Repair-Kit the best protection for your high-performance door

The lamella-repair-kit is even easier. This kit enables a fast and sustainable repair. This means only a simply adaptation of the lamella you already have on-site is necessary and the door is ready for use without extended downtime. Get in touch with us, we will be happy to inform you about the advantages of this repair-kit.



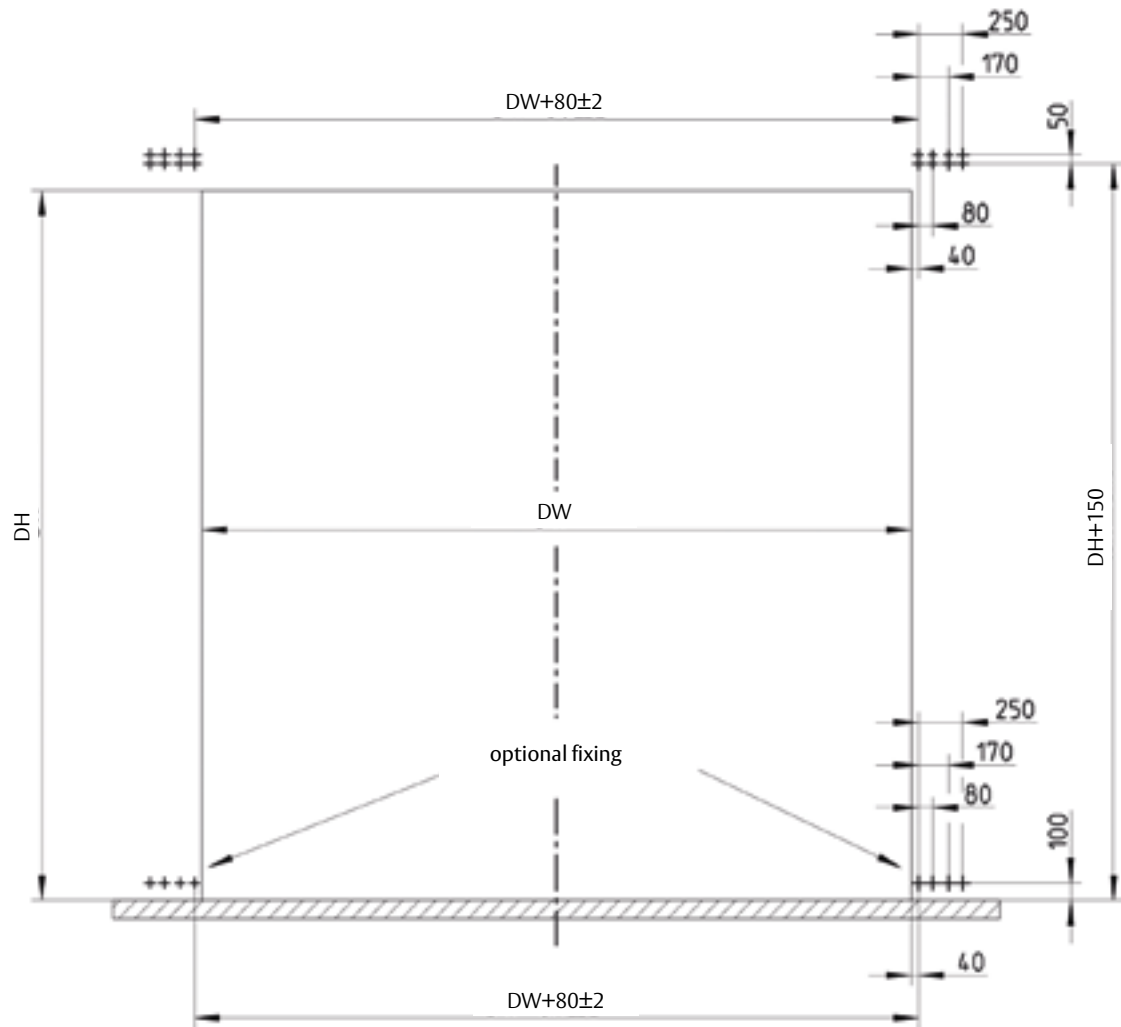
Drawing ASSA ABLOY RR3000 ISO



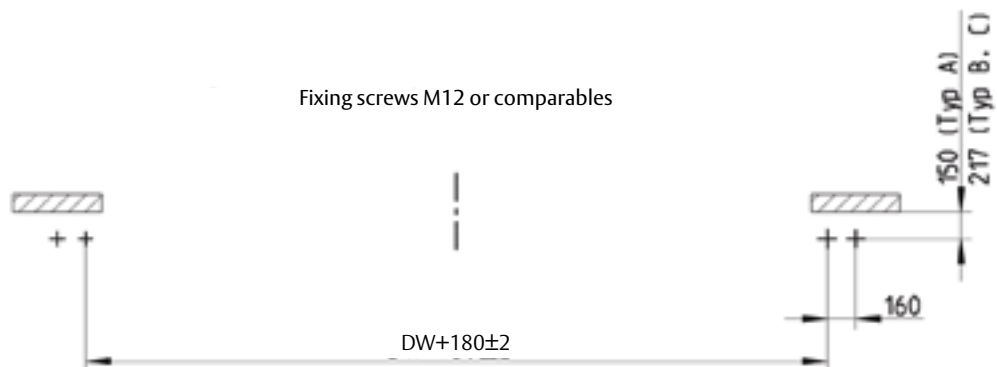
Door type	E	D	Z	S	V	T	Y1	Y2
Type A	84	267	880	350	920	960	105	330
Type B	151	334	990	350	1030	1090	40	-
Type C				450				

[] = Space needed for installation

Fixing Plan ASSA ABLOY RR3000 ISO



Fixing screws M12 or comparables

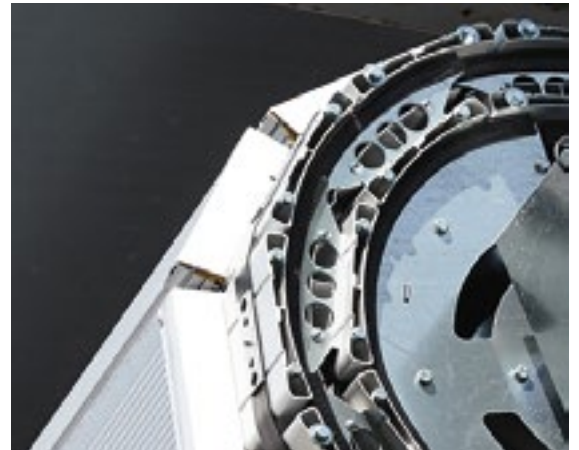


Technical Information ASSA ABLOY RR3000 ISO

Speeds	
Opening Speed	Up to 2,2 m per second
Closing Speed	Up to 0,7 m per second
Door Dimensions	
Max Width	7000 mm
Max Height	6000 mm
Min Width	1250 mm
Min Height	2500 mm
Safety Features	
Light Curtain	✓
Self-testing safety edge + door line photocell	•
Mechanical locking unit	•
Operation during power failure	
Emergency lever (limited to partial height by spring force)	✓
Manual opening and closing by means of a chain hoist	•
Wind Resistance	
Wind Resistance (EN 12424)	Class 4 Cl. 3 DW > 3500 mm Cl. 2 DW > 5000 mm
Curtain	
Heat transfer coefficient	Door blade 1,4 W/m ² K Complete door min 2,0 W/m ² K (Depending on door size and specification)
Temperature range	-20°C to +40°C (mounting side)
Extended seal	•
Door Components	
Curtain Slats	Insulated sandwiched slats (50 × 200 mm) with thermally separated metal sheet trays ✓ RAL 9006 • Painting in RAL colours
Window Slats	• Framed with anodized aluminum
Side Frames	✓ Galvanized steel side frames • RAL powder coated optional
Top roll and drive cover	• Anodized aluminum • RAL powder coated optional
Control and Drive System	
MCC VectorControl™	Standard, variable frequency drive with soft start / soft stop and absolute encoder
Motor Power	1,1 KW
Protection	IP 55
Mains Connection	3L(N)/PE 380/400/415/440/480 V, 50/60 Hz ²
Chain drive to reduce space for installation on the side	•

We offer various options and actuation devices.

- Option
- ✓ Standard



Smart Header Design

The design prevents door slats from touching one another as door opens and closes for fast, smooth and quiet operations.



Surface Structure

Increases stiffness and wind load.



Light Grid

Smart safety system is integrated into the side frames and eliminates contact with objects and people in doorway.



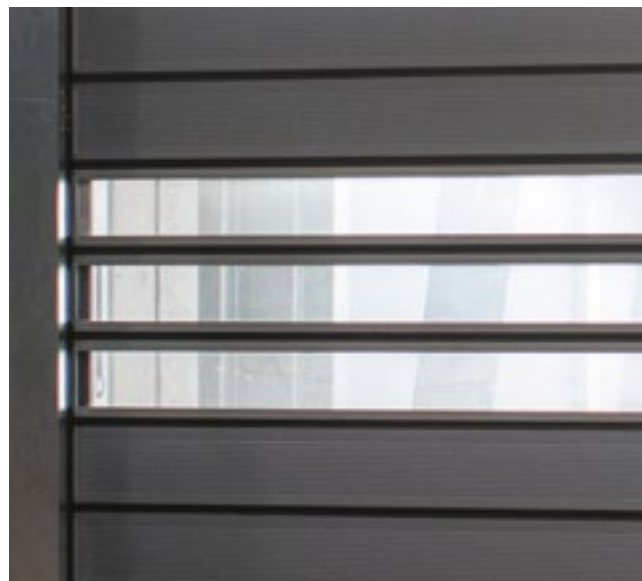
Why choose a high-performance door

- A high-performance door improves the efficiency and performance of any building.
- Increases the overall U-value of a building when installed at busy entrances that require a high number of open and close cycles per day.
- Doors only open and close for each individual unit of traffic through the opening – doors are not left open during processes such as loading and unloading.
- Improves interior conditions for a comfortable work environment.
- Ensures the safe and effortless flow of vehicles, goods and people.

ASSA ABLOY RR300 ISO: The next generation of rigid high-performance door

Efficient, sophisticated and safe, the RR3000 ISO from ASSA ABLOY Entrance Systems incorporates the thermal insulation of a traditional sectional door with the advanced performance of a high speed door. Its impressive styling adds elegance, and its resilient design ensures a long life of superior operations. With decades of expertise, we design our doors to be the perfect fit for your facility, taking pride to ensure high quality, superior safety and optimal performance.

At increased safety requirements the RR3000 ISO can optional fit with a mechanical locking unit. In this case the RR3000 ISO Lock comes with an ASSA ABLOY Safety cylinder to lock the door blade with a rigid bolt.



The ASSA ABLOY Group is the global leader in access solutions. Every day, we help billions of people to experience a more open world.

ASSA ABLOY
Entrance Systems

ASSA ABLOY Entrance Systems provides solutions for efficient and safe flow of goods and people. Our offering includes a wide range of automated pedestrian, industrial and residential doors, loading dock equipment and services.

assaabloyentrance.com



ASSA ABLOY Entrance Systems

assaabloyentrance.com

Follow us:



Please enter ASSA ABLOY Entrance in the channel's search field.