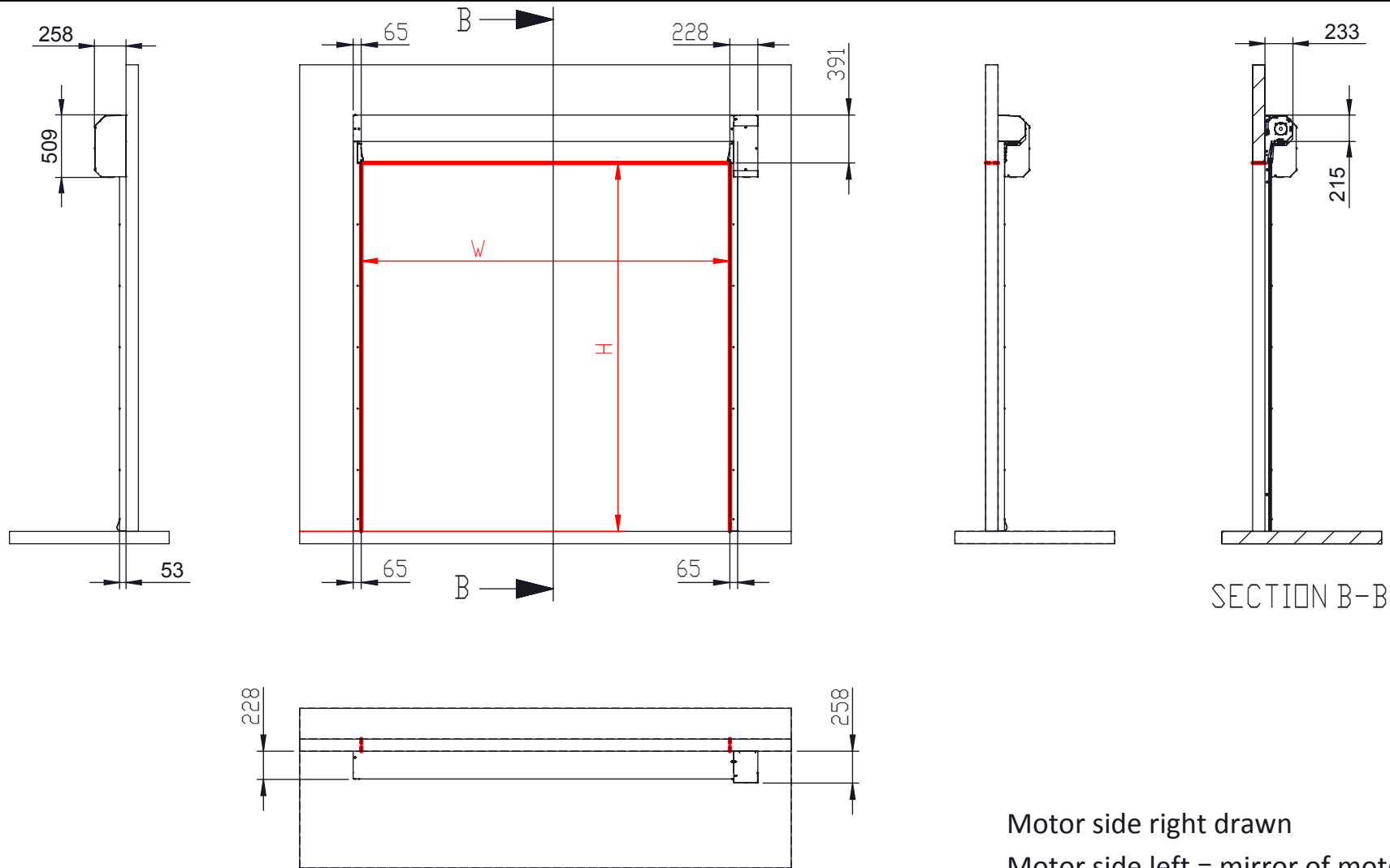


This work is copyright and no part may be reproduced, by any process, nor may any other exclusive right be exercised without the permission of ASSA ABLOY.



Motor side right drawn  
 Motor side left = mirror of motor side right

Surface:			Material:			General tolerance: ISO 2768-mH		
Volume:	Weight:	Surface area:	Created (YYYY-MM-DD): 12/07/2017	Designed by: schwatho	Drawn by: schwatho	Scale: 1:50 (A4)	Projection: 	
<b>ASSA ABLOY</b> ASSA ABLOY Entrance System HPDS			Door Built in dimensions, With covers HS9020 GAT/HS9020 G/HS9020 GHY			Alternate ID <b>1413-0116</b>		Rev.: <b>1</b>
						Document ID <b>D000774644-001</b>		

Status Approved 2017-12-20

Configuration:

SHEET 1 OF 1