

Disclaimer note
This is a sketch, please do not scale

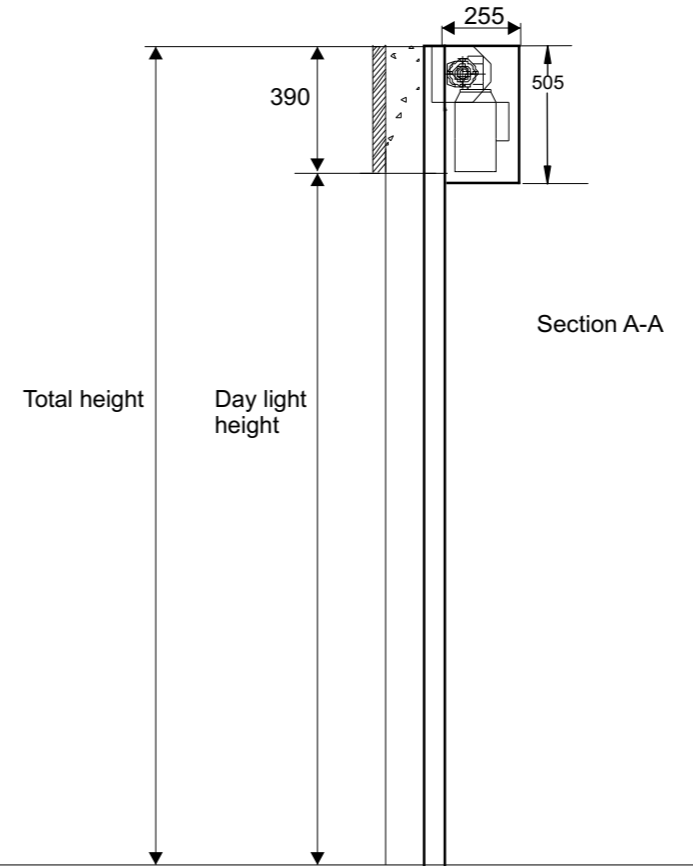
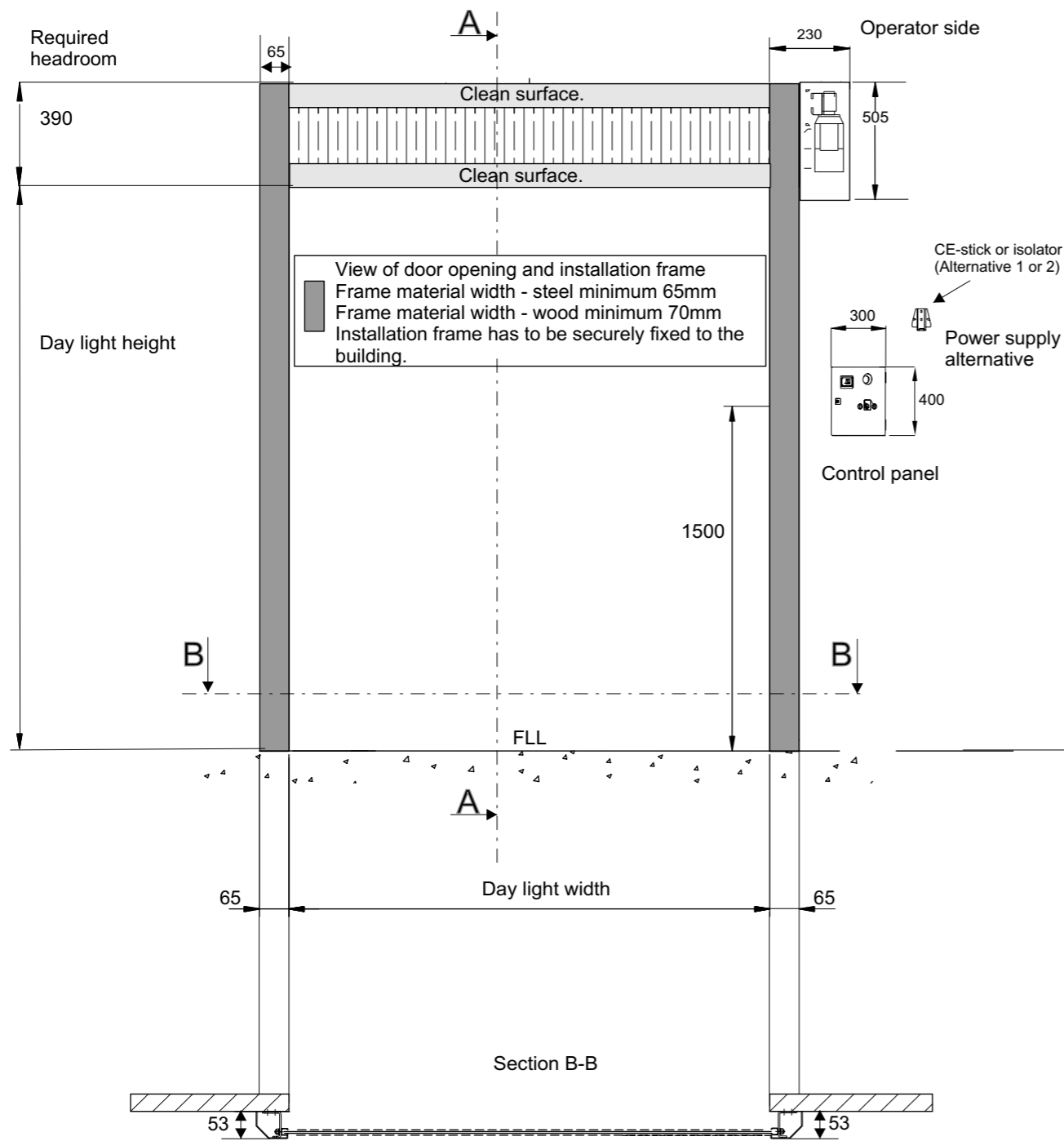
HS9020G, HS9020GHY, HS9020GAT Right

2010-02-19/RG

NR

501-2

Rev:5



Power supply for the operator:

16 Amp (max) per phase
 Voltage:
 1-phase 230V or 3-phase 400V (+N)

Alternative 1.
 With CE-stick (by others)
 to be located within 0,5m from the control box.

Alternative 2.
 With isolator (by others)
 adjacent to the control unit

Alternative 3.
 To be installed direct
 (by others) in to the control box.

NB! Required built in space

All dimensions indicated are net: It will be necessary to add the required space for installation and maintenance.
 Reduced dimensions: on request.

Without covers:
 Top + 100, motor side (at motor level) +150, other side + 150. Front +300

With covers:
 Top + 200, motor side (at motor level) + 250, other side + 200, front + 300

Required space within the building from the installation frame

Connection area in line with side frames

ASSA ABLOY contact

Pos	Quantity	Day light width	Day light height	Depth	Side space left	Side space right	Total height	Power supply
				255	65	65/215		Alternative

Quote/Ordernumber	
Date	
Drawn by	

Project:

Notes:

ASSA ABLOY

www.assaabloyentrance.com