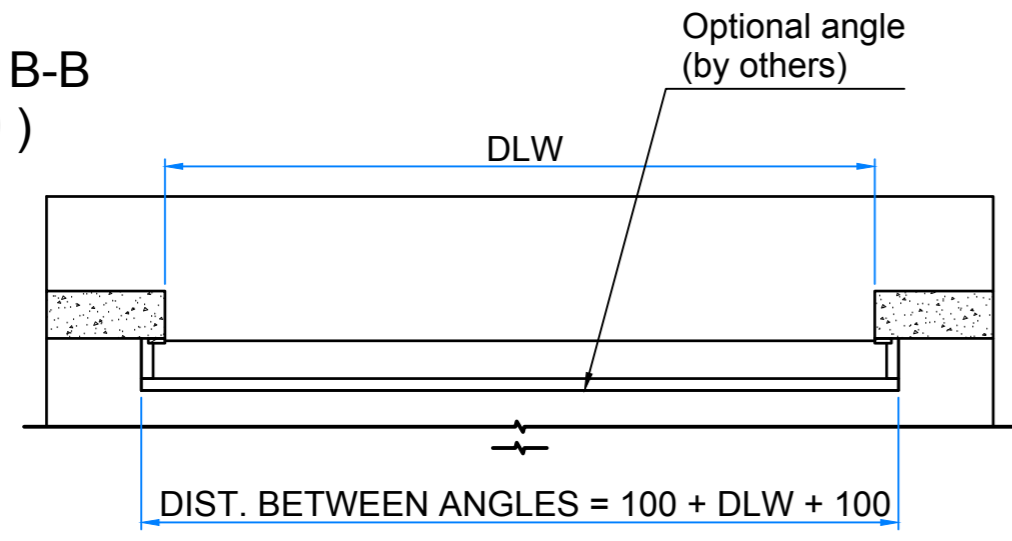
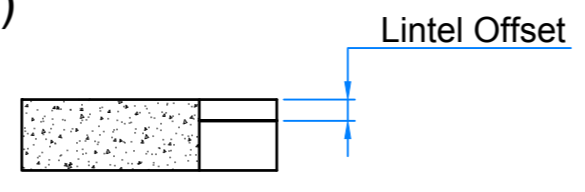


This drawing will remain our property. The drawing may be used for reference only. It is not to be used for any other purpose without the written consent of the manufacturer. The drawing may be altered without notice and is not to be used for production. Transgression will be prosecuted according to existing law.

**SECTION B-B  
( 1 : 30 )**



**SECTION C-C  
( 1 : 20 )**



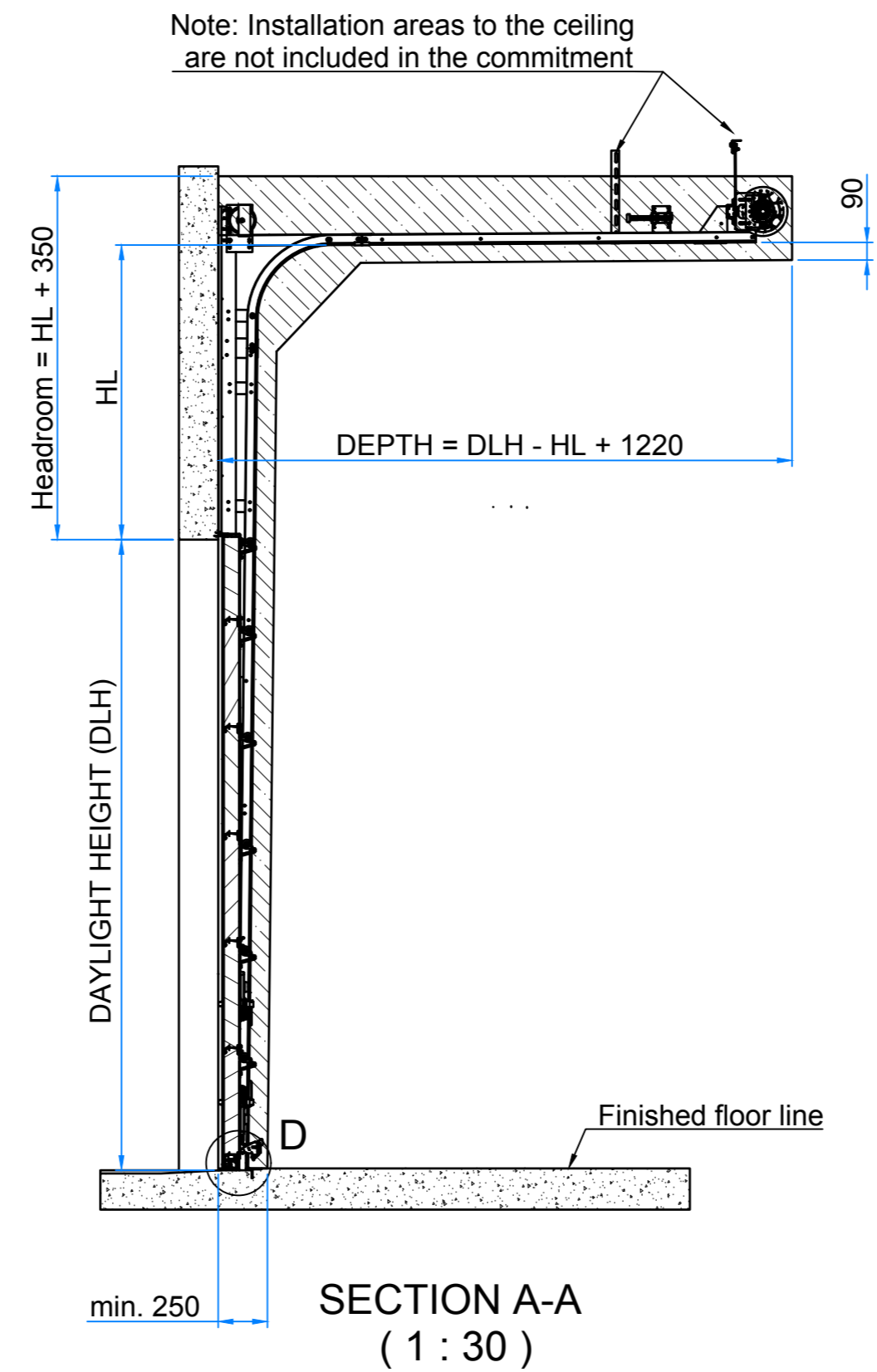
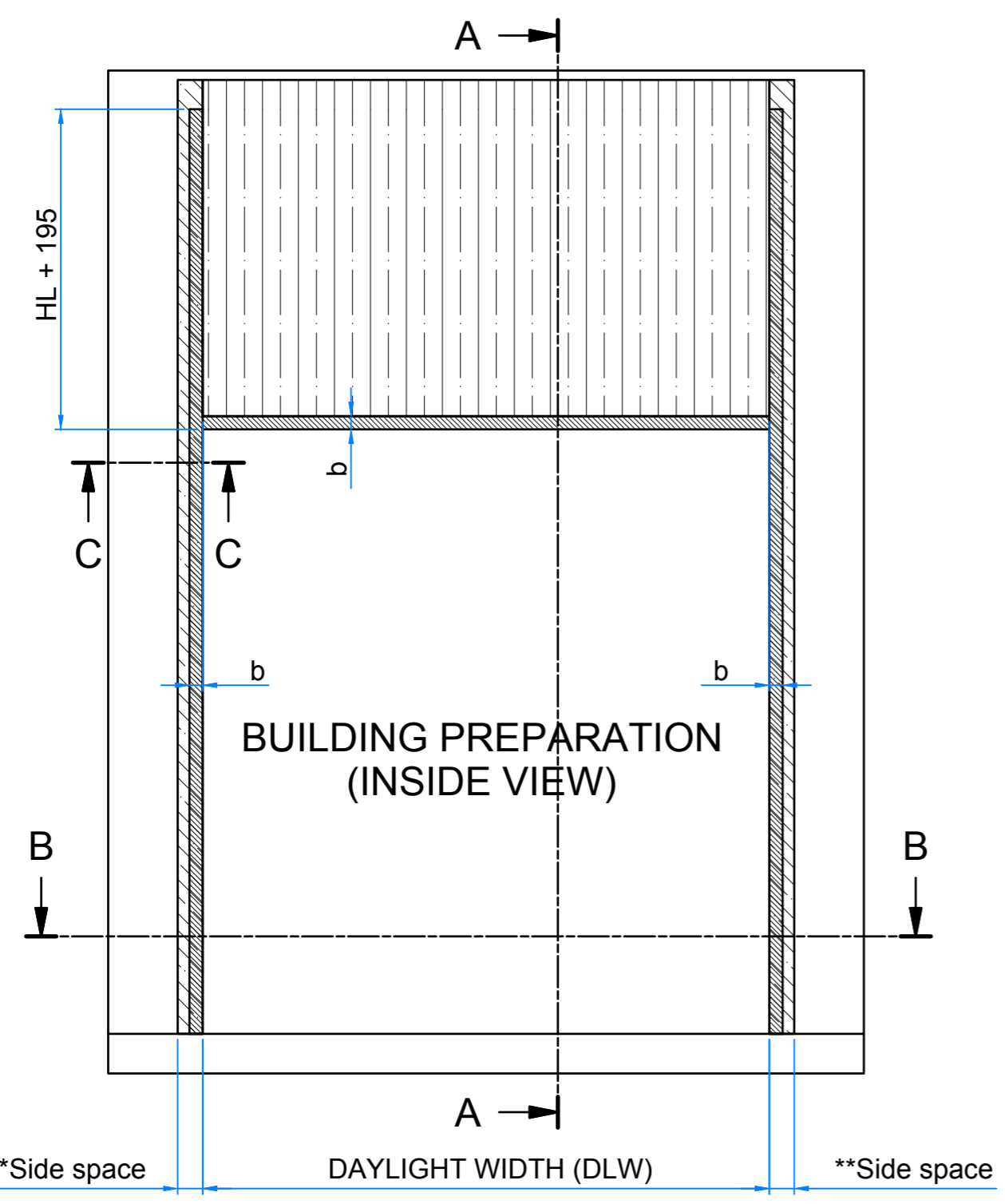
Installation frame, integrated in or securely fixed to the building.

Installation frame		
Material	Width b (minimum)	
Steel	70 mm while t > 2mm	<input type="checkbox"/>
Wood	70 mm while t > 100mm	<input type="checkbox"/>
Stone/Concrete	70 mm while t > 100mm	<input type="checkbox"/>

t = Material thickness

Required free space for the door above the opening, includes the whole marked area above the opening.

Required free space around the door guiding.

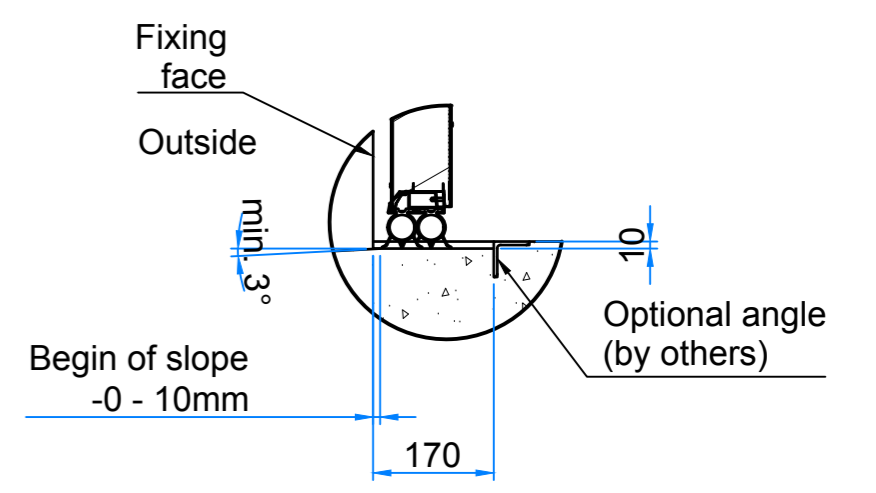


Note: Installation areas to the ceiling are not included in the commitment

**Side space per side	
Hoist type mounted	Side space ~
None	132 / 165
D- / T-hoist	228 / -
U-hoist	278 / 278

~ ~ Space without / with Outer Support Bearing (Outer Support Bearing needed in case DLW > 6000 or doorweight > 350kg)

NOTE:  
Leveled threshold not recommended  
To reduce possible water ingress apply:  
a) 10mm height difference  
or  
b) slope min. 3°



**THRESHOLD DETAIL D ( 1 : 10 )**

Contact: \_\_\_\_\_

Pos	Quantity	Day light width	Day light height	Headroom	Depth	Side space left	Side space right	Track angle	Lintel Offset
								°(deg)	<input type="checkbox"/> None <input type="checkbox"/> 40 mm <input type="checkbox"/> 60 mm

Quote / Order Number	Project:	Notes:
Date		
Drawn by		

Rev.	No.	AN No.	Revision	Date	Drawn	Appr.

Drawn ML	Appr. BV	Dimensions without specified tolerances refer to: Valid at date of latest rev.	Scale 	File 	Size A2
ARCHITECT/BUILD. PREP.		Replaces		Status P	AN No. 9547
1082 - HHL		Date 2018-01-03		Drawing No. K068912	
MANUAL OPERATION		Rev.			