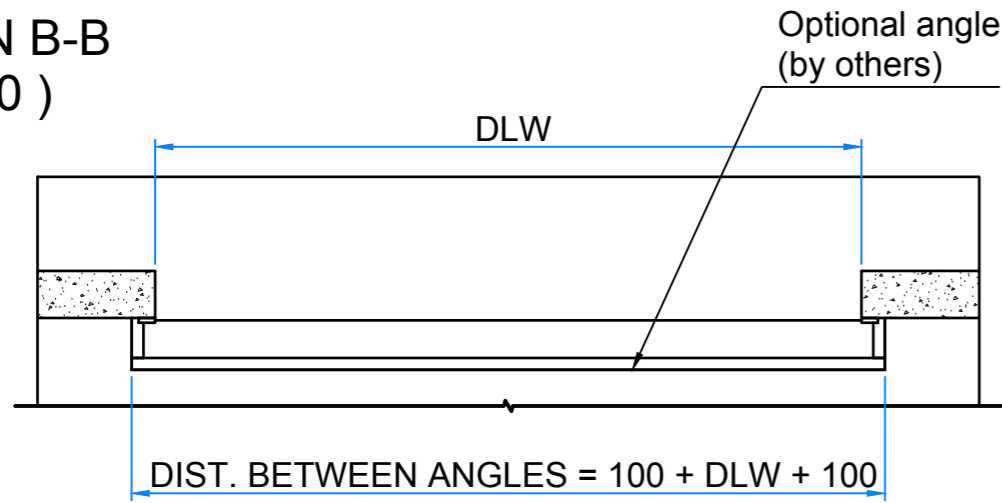
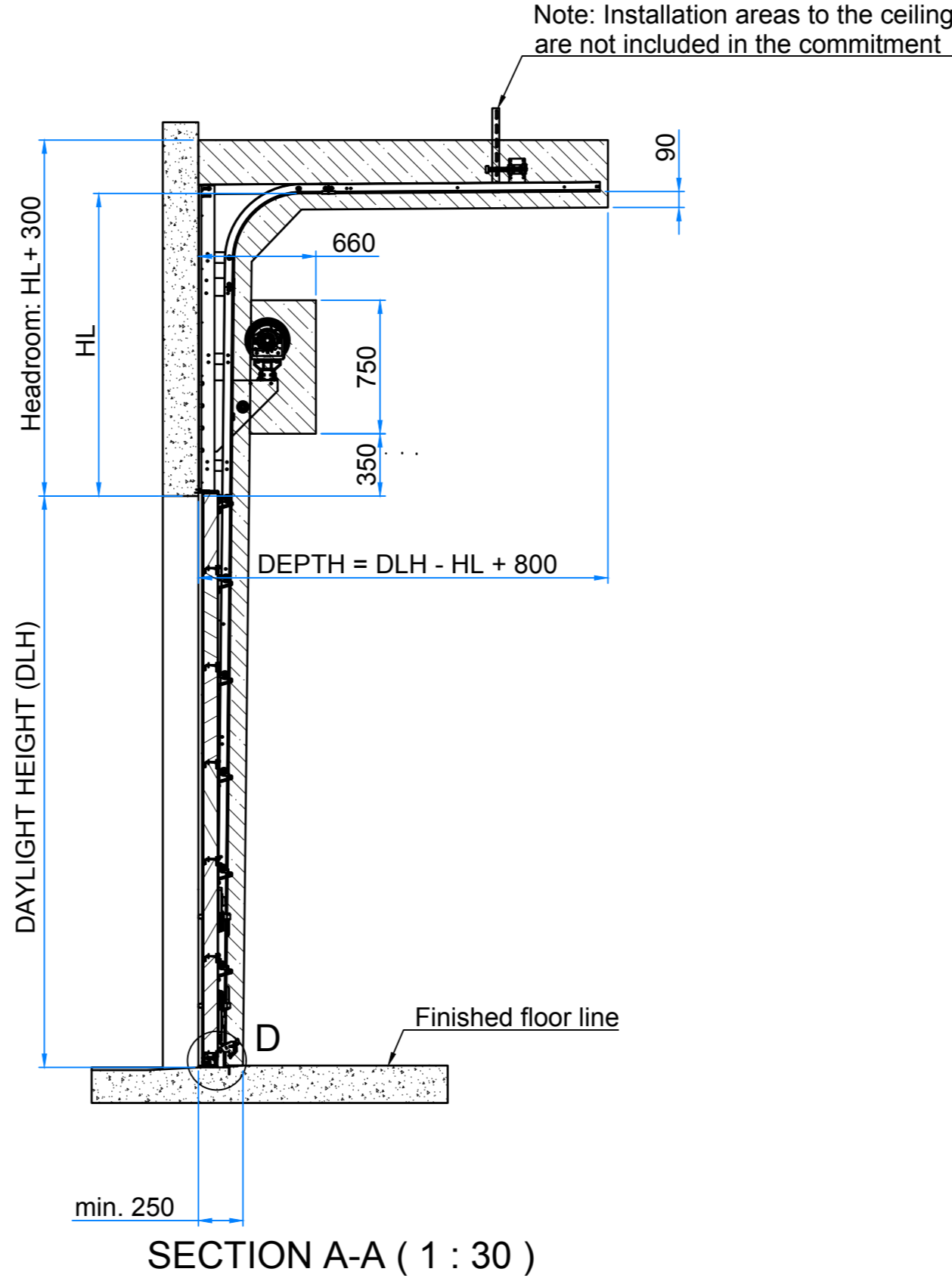
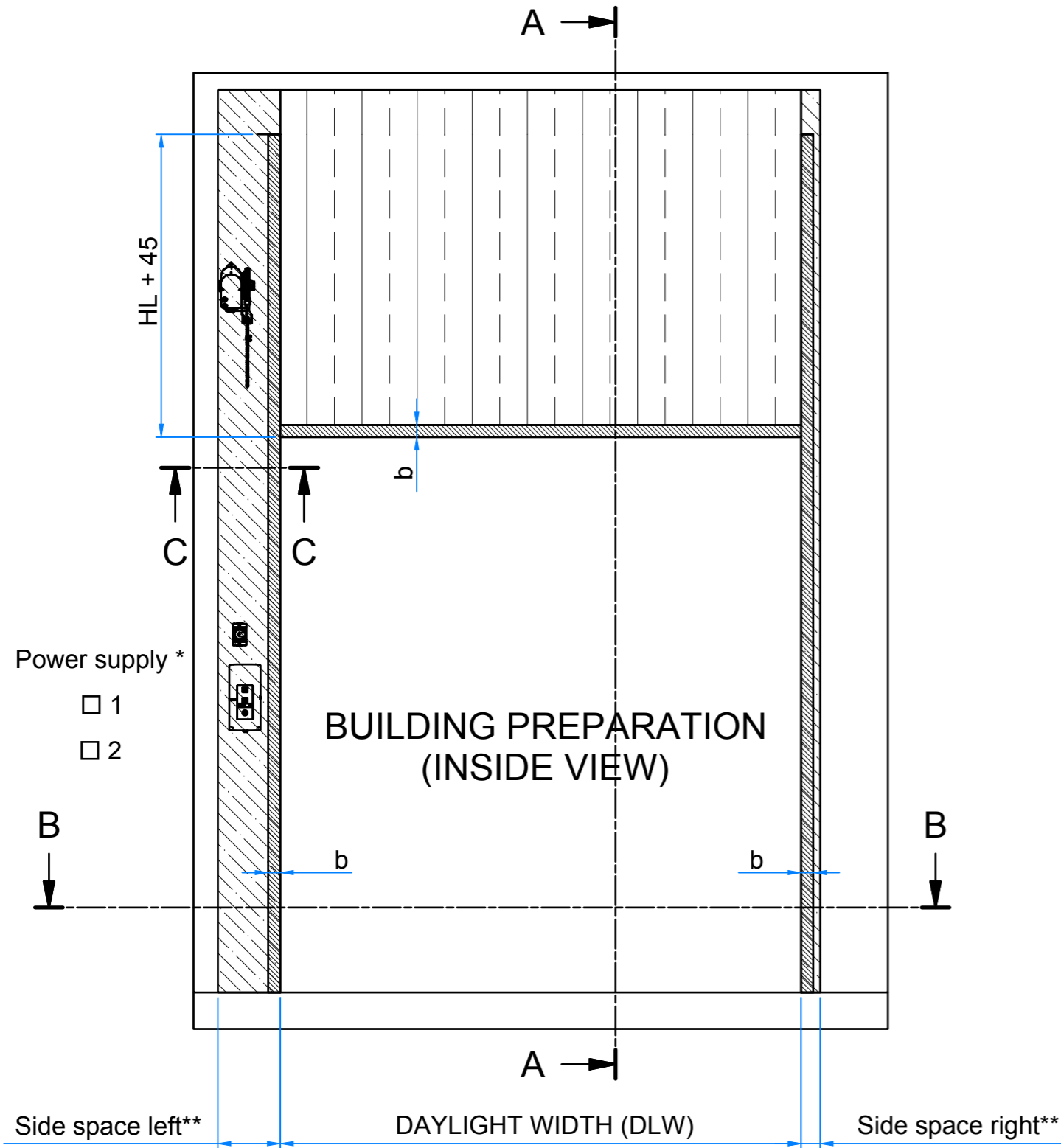
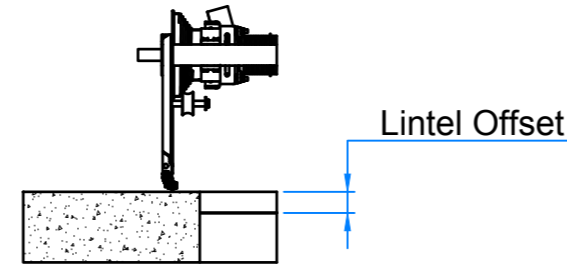


This drawing will remain our property. The drawing must not, without our knowledge, be copied or multiplied, shown or in any other respect made known to third parties nor be used for production. Transgression will be prosecuted according to existing law.

**SECTION B-B  
(1 : 30)**



**SECTION C-C  
(1 : 20)**



Contact									
Pos	Quantity	Day light width	Day light height	Headroom	Depth	Side space left	Side space right	Track angle	Lintel Offset
								°(deg)	<input type="checkbox"/> None <input type="checkbox"/> 40 mm <input type="checkbox"/> 60 mm

Quote / Order Number	Project:	Notes:
Date		
Drawn by		

Rev.	No.	AN No.	Revision	Date	Drawn	Appr.

Installation frame, integrated in or securely fixed to the building.

Installation frame		
Material	Width b (minimum)	
Steel	70 mm while t > 2mm	<input type="checkbox"/>
Wood	70 mm while t > 100mm	<input type="checkbox"/>
Stone/Concrete	70 mm while t > 100mm	<input type="checkbox"/>

t = Material thickness

- Required free space for the door above the opening, includes the whole marked area above the opening.
- Required free space around the door guiding.

- \*Power supply for operator
- 1) Alternative 1  
- Phase, 230V 10 amp (CEE wall socket or isolator switch) to be located within 0,5 m from the operator (by others)
  - 2) Alternative 2 (if S then power-supply to CU)  
- Phase, 230 V 10 amp (CEE wall socket or isolator switch) to be located adjacent to the control unit (by others)

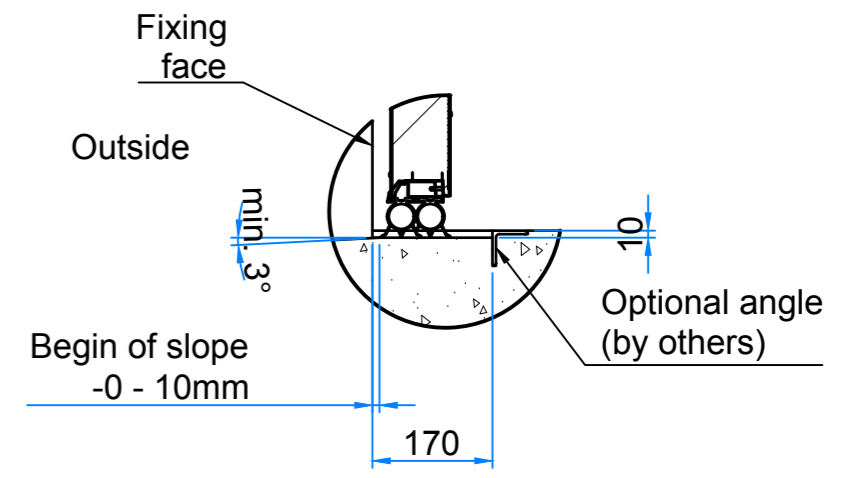
\*\*Minimum Side space per side

Operator mounted	Side space ~
None	106 / 160
Operator - no ICH	312 / 376
Operator - with ICH	352 / 416

ICH: Intergrated Chain Hoist on Operator

~ Space without / with Outer Support Bearing (Outer Support Bearing needed in case DLW > 6000 or doorweight > 350kg)

NOTE:  
Leveled threshold not recommended  
To reduce possible water ingress apply:  
a) 10mm height difference  
or  
b) slope min. 3°



**THRESHOLD DETAIL D (1 : 10)**

Drawn ML	Appr. BV	Dimensions without specified tolerances refer to: Valid at date of latest rev.	Scale 	File	Size A2
ARCHITECT/BUILD. PREP. 1082 - HL (with beam)		Replaces	Status P	AN No. 9547	Date 2018-01-03
ELECTR. SIDE OPER.		Drawing No. K068917	Rev.		