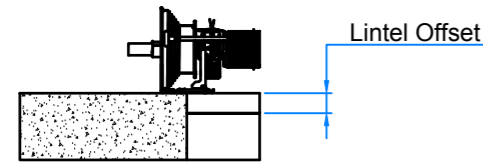
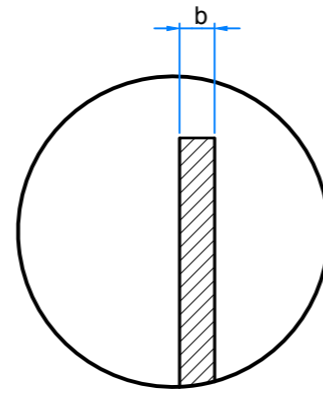
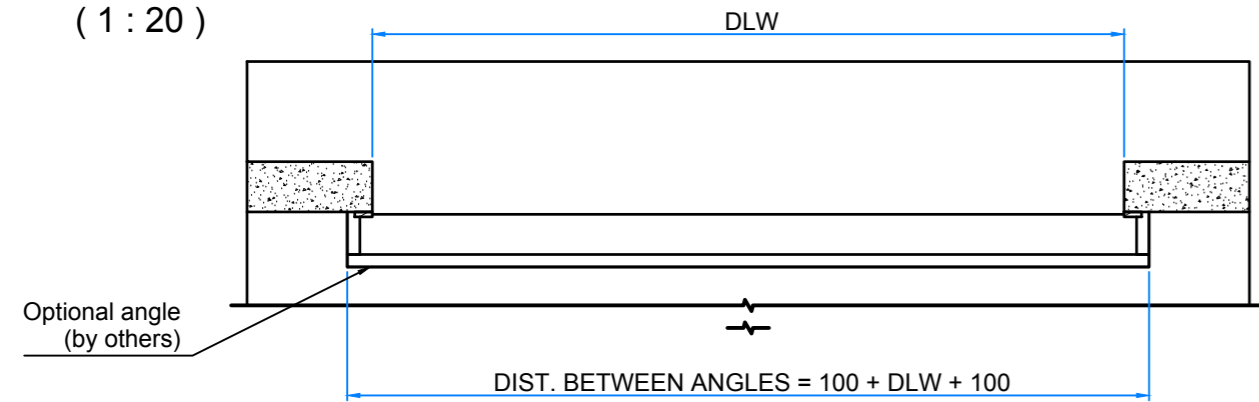


This drawing will remain our property. The drawing must not without our knowledge, neither in original or any altered shape, be copied or multiplied shown to or in any other respect made known to third parties nor be used for production. Transgression will be prosecuted according to existing law.

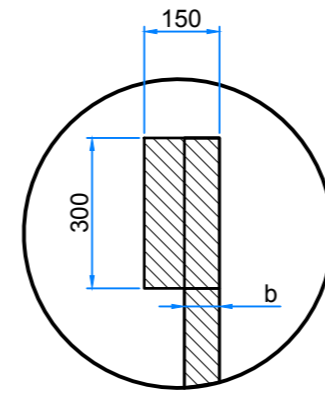
SECTION C-C
(1 : 15)



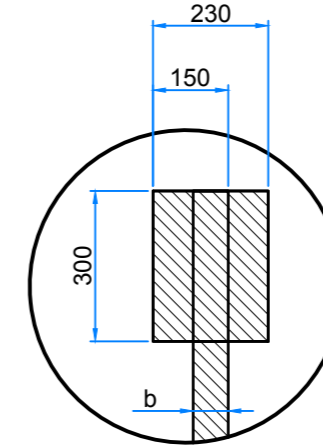
SECTION B-B
(1 : 20)



Needed when
DLW ≤ 6000 and
weight ≤ 350kg
Left and
Right



Needed when
DLW > 6000 or
weight 350 - 550kg
Left and Right
(for outer support
bearing)



Needed when
weight > 550kg
Left and Right
(for alt. wall
bracket)

Installation frame, integrated in or securely fixed to the building.

Installation frame		
Material	Width b (minimum)	
Steel	70 mm while t > 2mm	<input type="checkbox"/>
Wood	70 mm while t > 100mm	<input type="checkbox"/>
Stone/Concrete	70 mm while t > 100mm	<input type="checkbox"/>

t = Material thickness

Required free space for the door above the opening, includes the whole marked area above the opening.

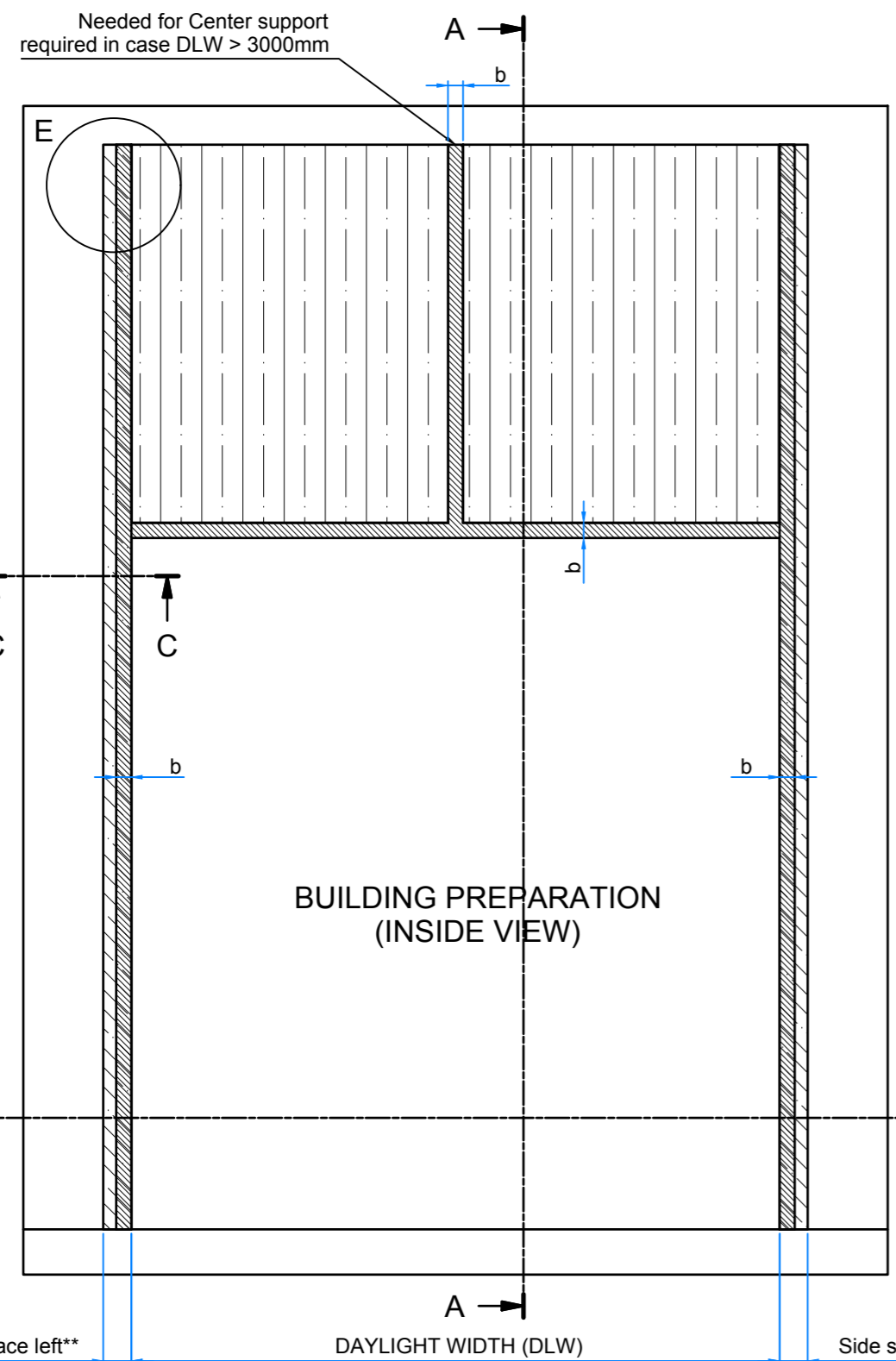
Required free space around the door guiding.

****Minimum Side space per side**

Hoist type mounted	Side space~~
None	132 / 165
D- / T-Hoist	212 / -
U-Hoist	278 / 278

~~ Values without / with Outer Support Bearing.
(Outer support bearing is mounted in case Doorweight >350kg or DLW>6000)

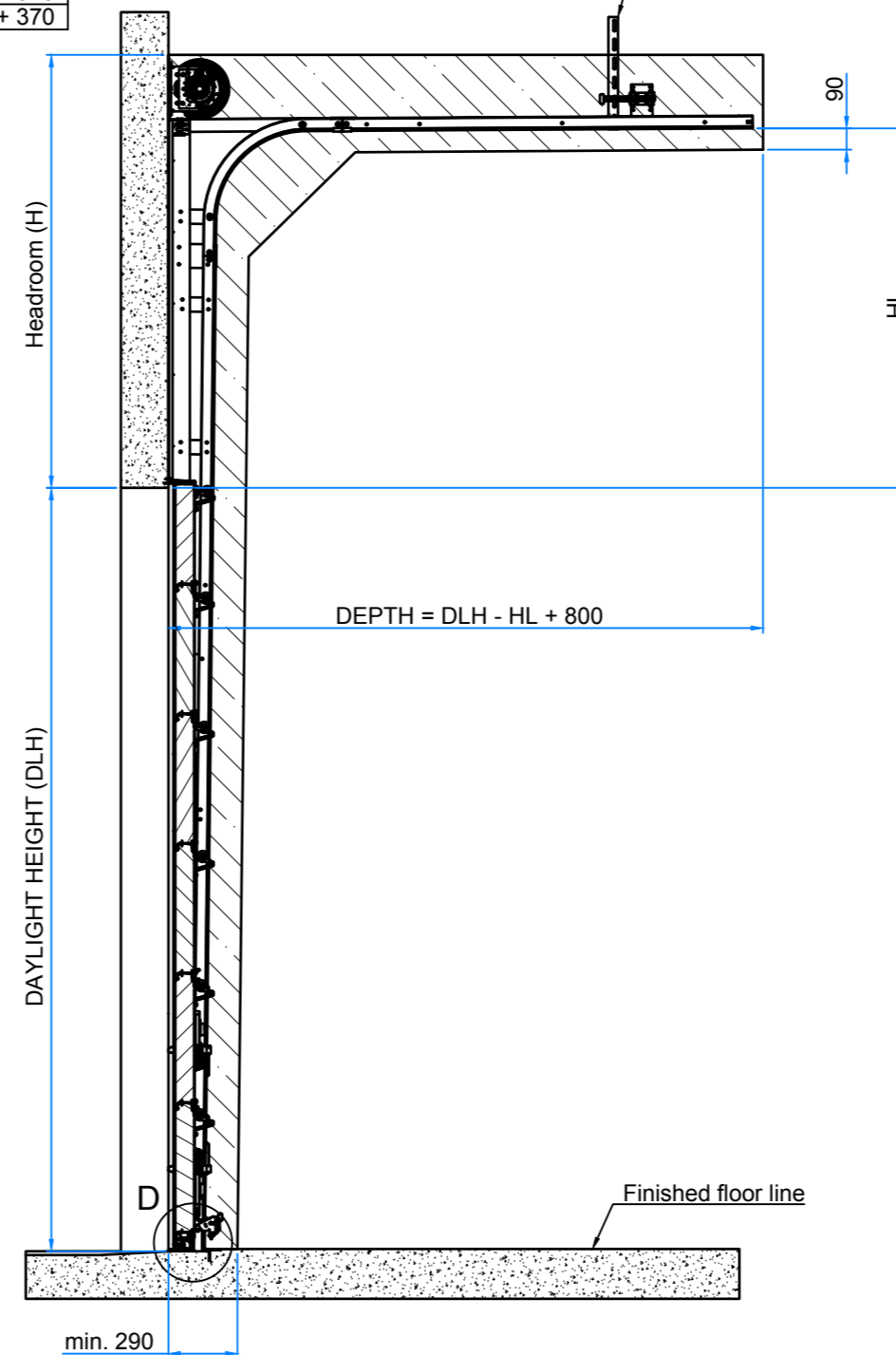
Needed for Center support required in case DLW > 3000mm



HL	H
≤ 3400	HL + 320
>3400	HL + 370

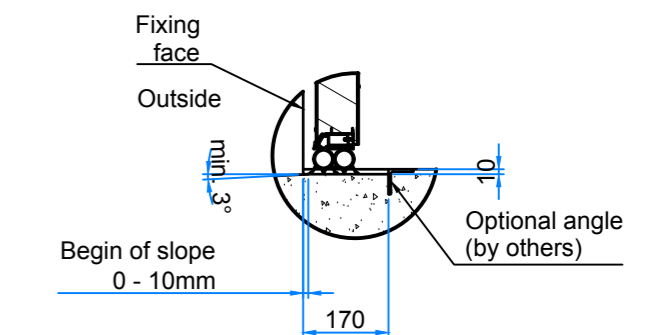
E (1 : 10)

Note: Installation areas to the ceiling are not included in the commitment



SECTION A-A
(1 : 20)

NOTE:
Leveled threshold not recommended
To reduce possible water ingress apply:
a) 10mm height difference
or
b) slope min. 3°



THRESHOLD DETAIL D (1 : 10)

Contact									
Pos	Quantity	Day light width	Day light height	Headroom	Depth	Side space left	Side space right	Track angle	Lintel Offset
								°(deg)	<input type="checkbox"/> None <input type="checkbox"/> 40 mm <input type="checkbox"/> 60 mm
Quote / Order Number		Project:			Notes:				
Date									
Drawn by									

Drawn ML	Appr. BV	Dimensions without specified tolerances refer to: Valid at date of latest rev.		Scale	File	Size A1
ARCHITECT/BUILD. PREP.		Replaces				
1082 - HL (without beam)		Status P	AN No. 9547	Date 2018-01-03		
MANUAL OPERATION		Drawing No. K068904		Rev.		

Rev.	No.	AN No.	Revision	Date	Drawn	Appr.