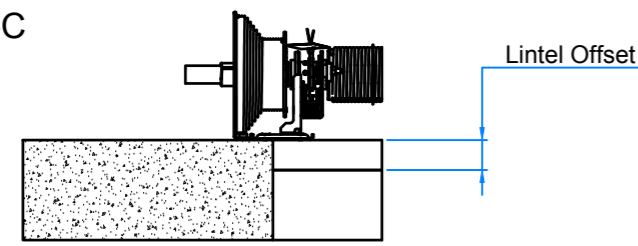
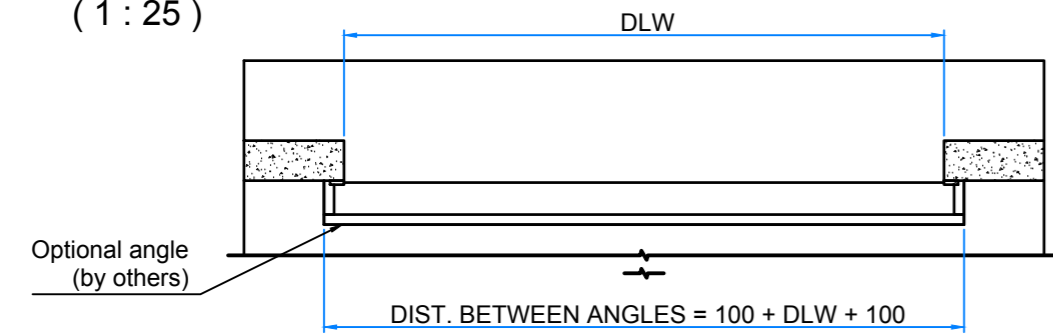


This drawing will remain our property. The drawing must not without our knowledge, neither in original or any altered shape, be copied or multiplied, shown to or in any other respect made known to third parties nor be used for production. Transgression will be prosecuted according to existing law.

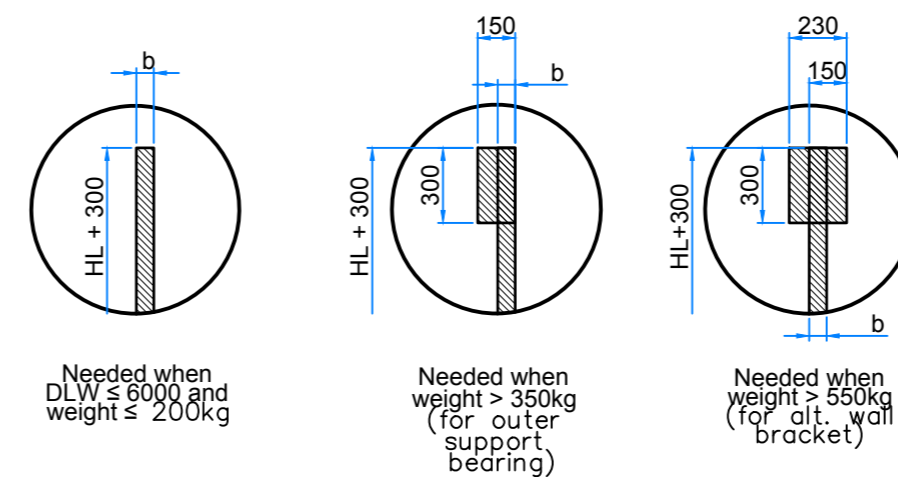
SECTION C-C  
(1 : 10)



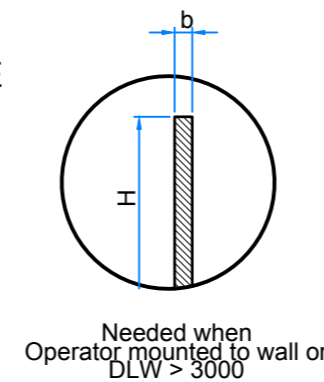
SECTION B-B  
(1 : 25)



DETAIL E (1 : 20)  
INSTALLATION FRAME  
SIDE

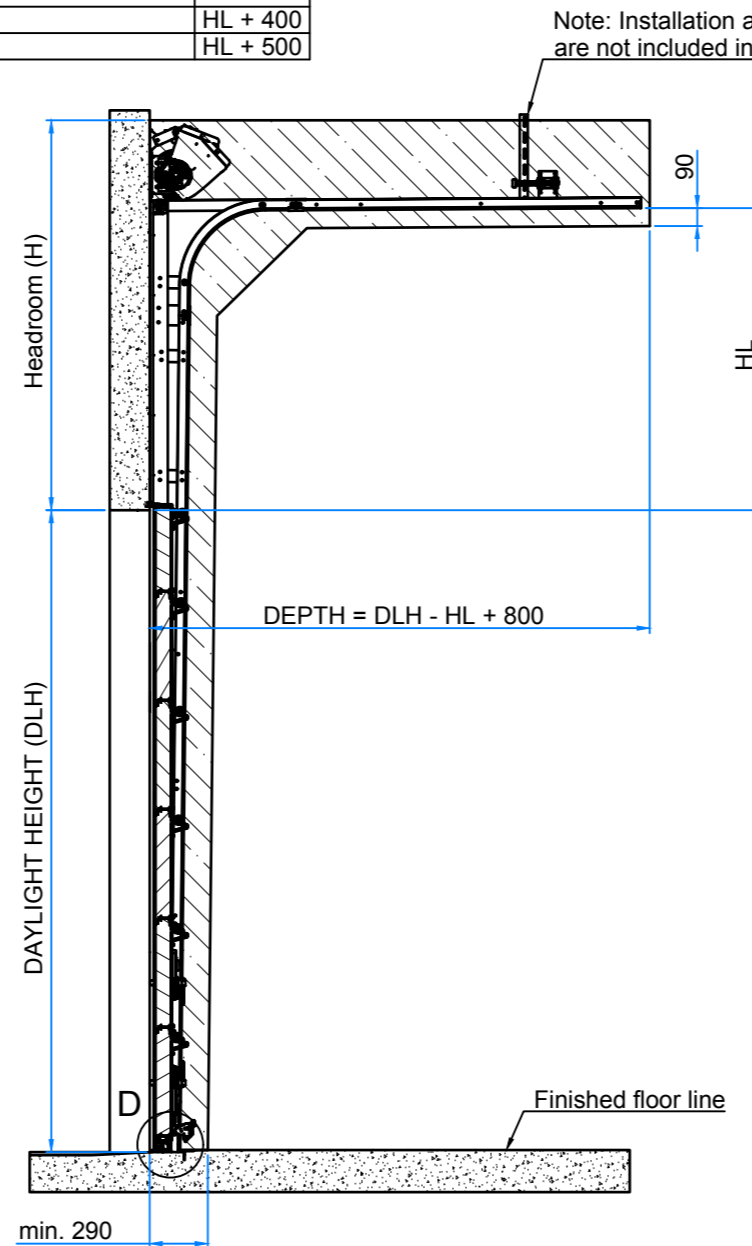


DETAIL F (1 : 20)  
INSTALLATION FRAME  
CENTER



OPERATOR MOUNTED TO	H
CEILING	HL + 400
WALL	HL + 500

Note: Installation areas to the ceiling are not included in the commitment



SECTION A-A  
(1 : 25)

Installation frame, integrated in or securely fixed to the building.

Installation frame		
Material	Width b (minimum)	
Steel	70 mm while t > 2mm	<input type="checkbox"/>
Wood	70 mm while t > 100mm	<input type="checkbox"/>
Stone/Concrete	70 mm while t > 100mm	<input type="checkbox"/>

t = Material thickness

Required free space for the door above the opening, includes the whole marked area above the opening.

Required free space around the door guiding.

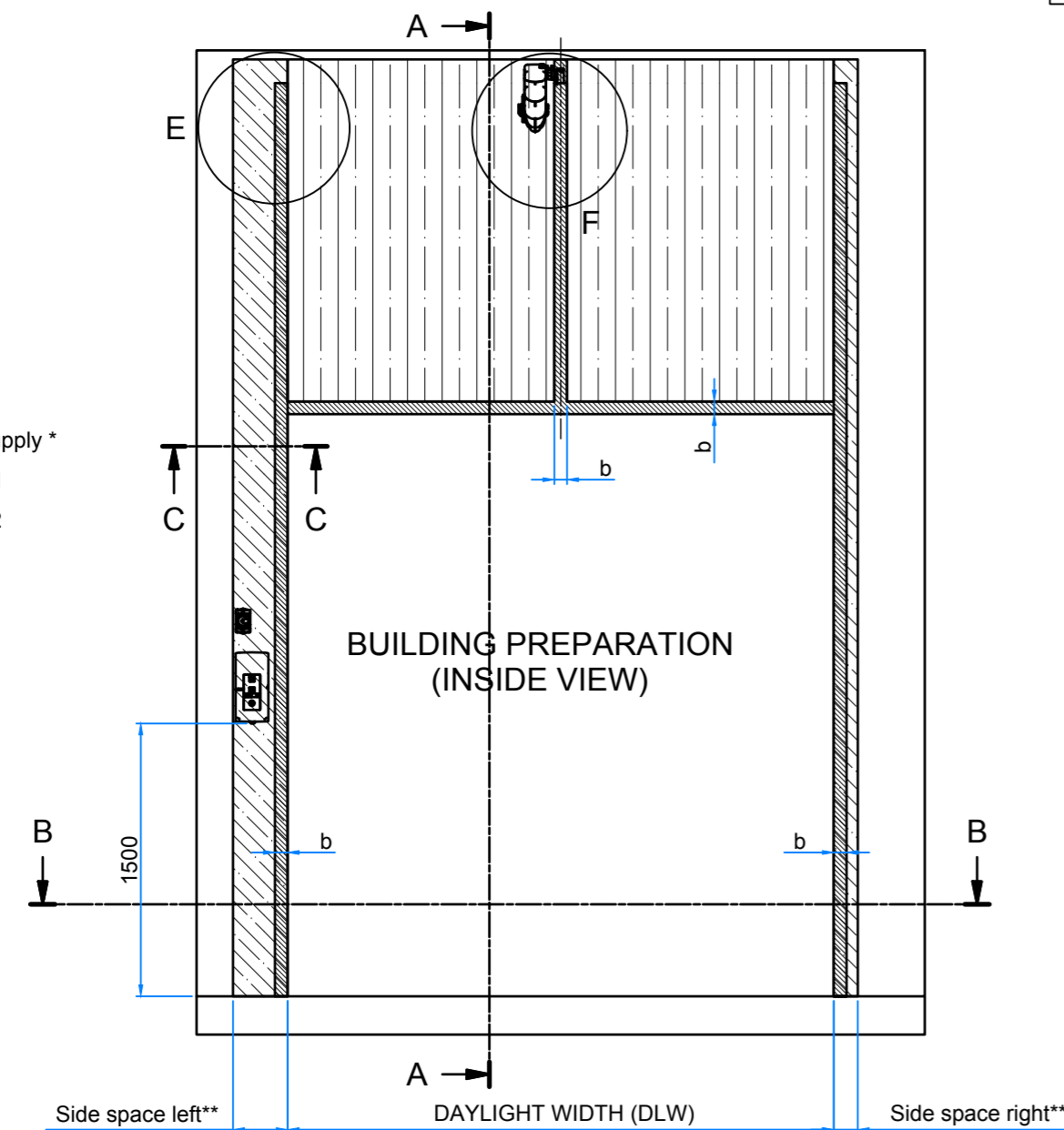
\*Power supply for operator

- Alternative 1  
- Phase, 230V 10 amp (CEE wall socket or isolator switch) to be located within 0,5 m from the operator (by others)
- Alternative 2 (if S then power-supply to CU)  
- Phase, 230 V 10 amp (CEE wall socket or isolator switch) to be located adjacent to the control unit (by others)

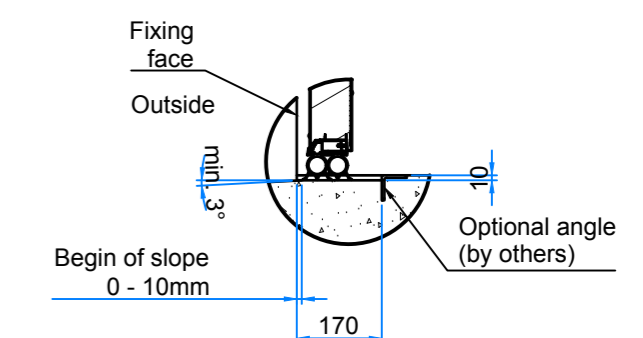
**Side space per side	
Control box mounted	Side space ~
No	132 / 165
Yes	300 / 300

~ Values without / with Outer Support Bearing. (Outer support bearing is mounted in case Doorweight > 350kg or DLW > 6000)

- Power supply \*
- 1
  - 2



NOTE:  
Leveled threshold not recommended  
To reduce possible water ingress apply:  
a) 10mm height difference  
or  
b) slope min. 3°



THRESHOLD DETAIL D (1 : 10)

Contact										
Pos	Quantity	Day light width	Day light height	Headroom	Depth	Side space left	Side space right	Track angle	Lintel Offset	
								°(deg)	<input type="checkbox"/> None <input type="checkbox"/> 40 mm <input type="checkbox"/> 60 mm	
Quote / Order Number	Project:		Notes:							
Date										
Drawn by										
Rev.	No.	AN No.	Revision	Date	Drawn	Appr.				

Drawn ML	Appr. BV	Dimensions without specified tolerances refer to: Valid at date of latest rev.	Scale	File	Size A1
		Replaces			
		ARCHITECT/BUILD. PREP.	Status	AN No.	Date
		1082 - HL (without beam)	P	9547	2018-01-03
		ELECTR. CENTER OPER.	Drawing No.	K068907	