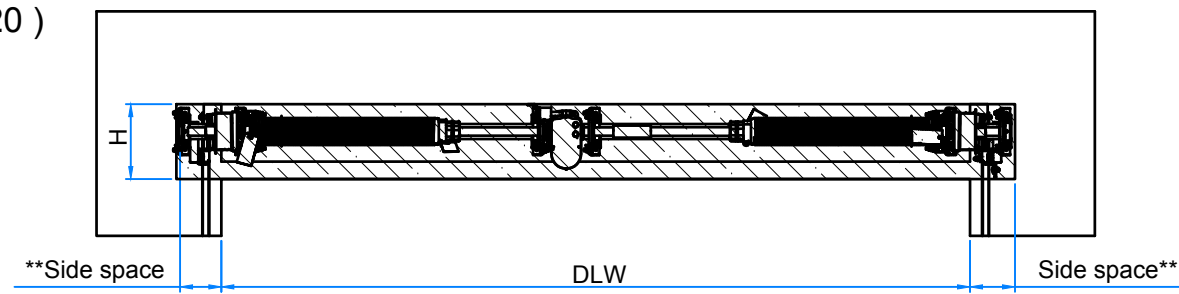
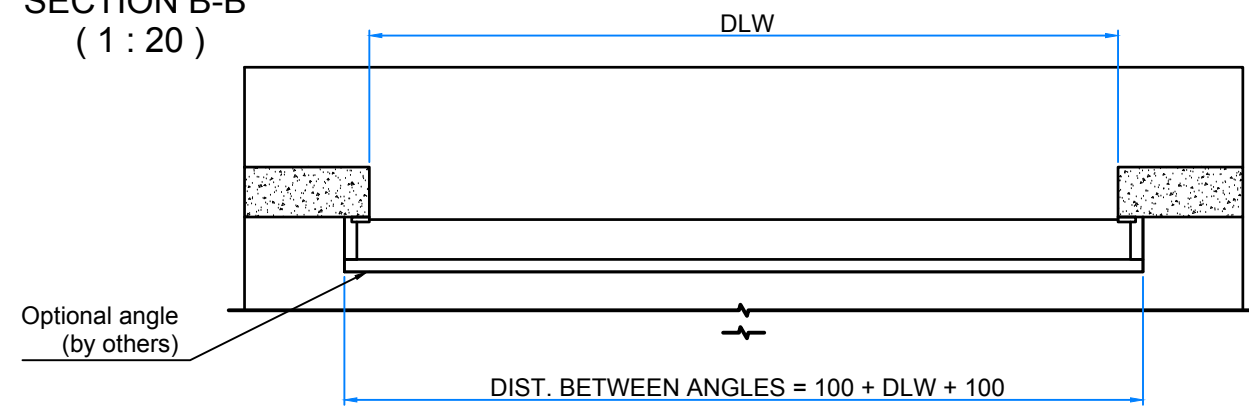


This drawing will remain our property. The drawing must not without our knowledge, neither in original or any altered shape, be copied or multiplied, shown to or in any other respect made known to third parties nor be used for production. Transgression will be prosecuted according to existing law.

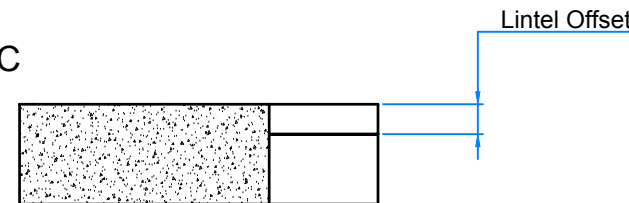
**SECTION F-F
(1 : 20)**



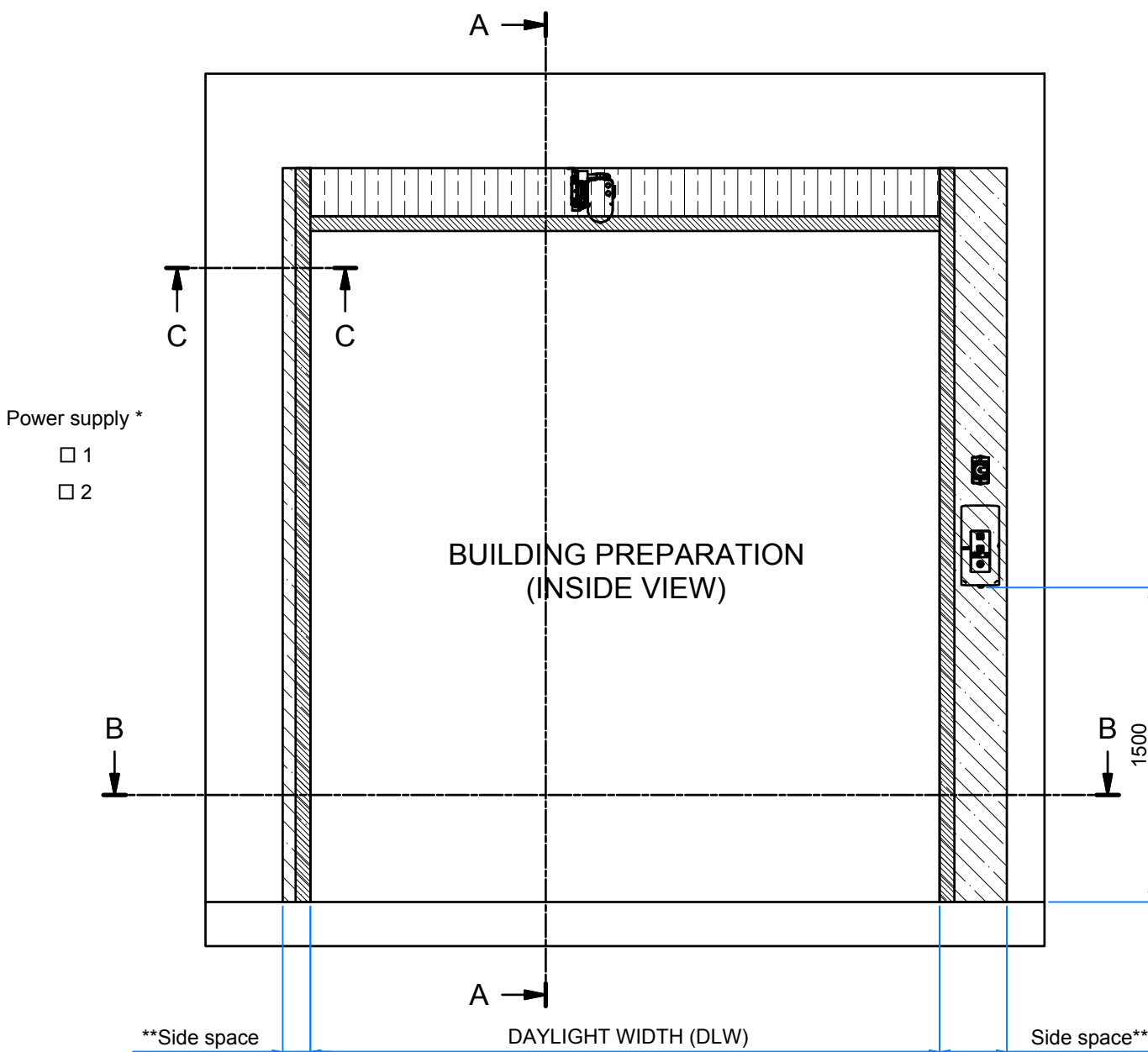
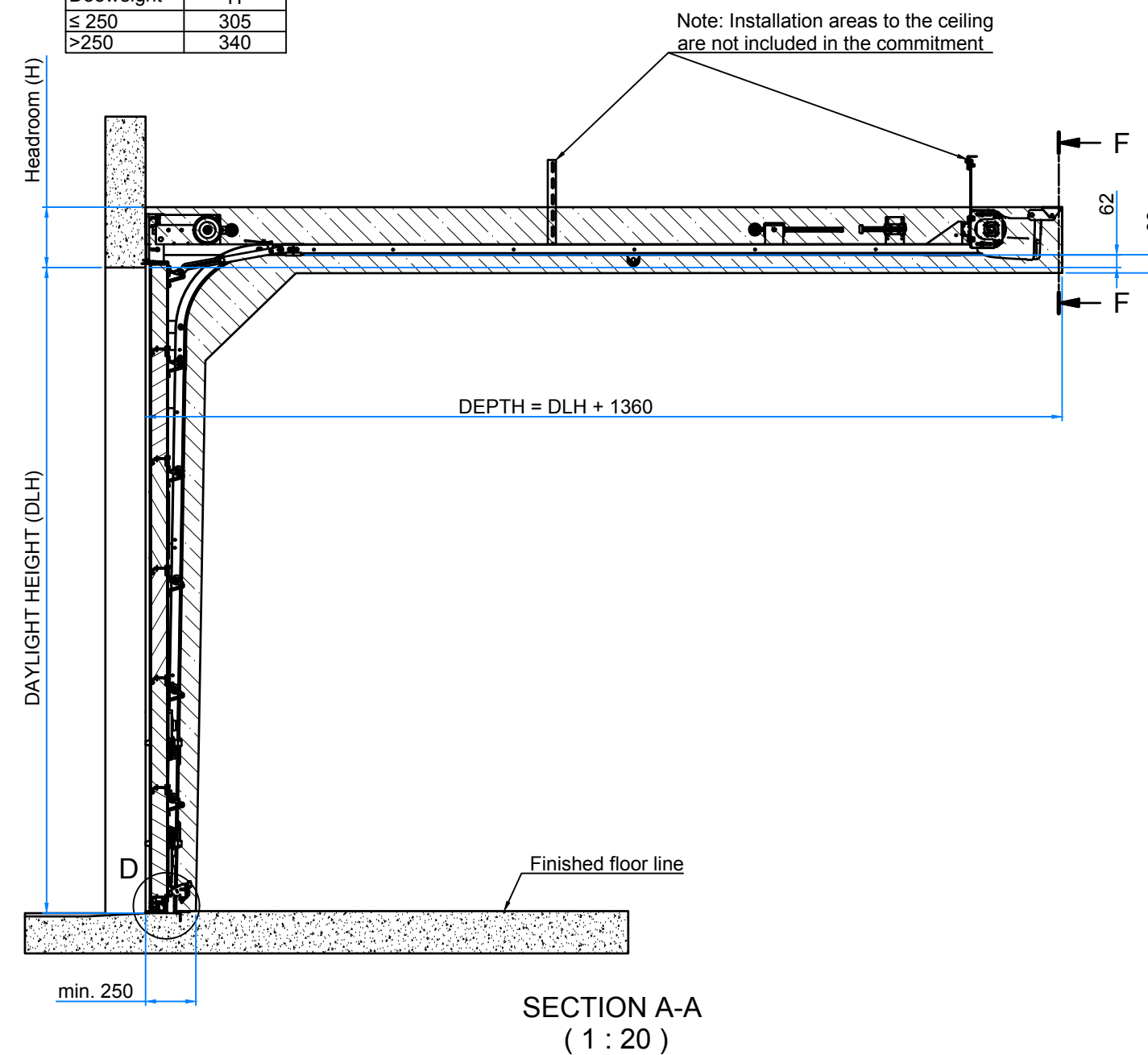
**SECTION B-B
(1 : 20)**



**SECTION C-C
(1 : 10)**



Dooweight	H
≤ 250	305
>250	340



- Power supply *
- 1
 - 2

Installation frame		
Material	Width b (minimum)	
Steel	70 mm while t > 2mm	<input type="checkbox"/>
Wood	70 mm while t > 100mm	<input type="checkbox"/>
Stone/Concrete	70 mm while t > 100mm	<input type="checkbox"/>

t = Material thickness

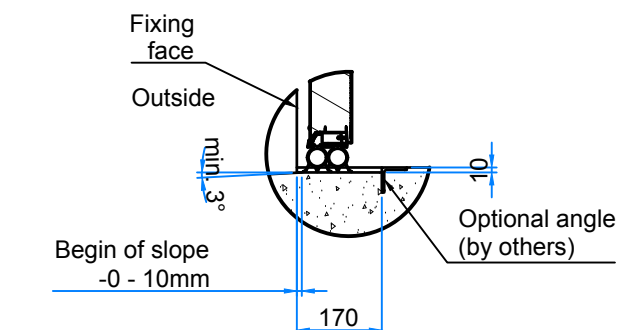
- Required free space for the door above the opening, includes the whole marked area above the opening.
- Required free space around the door guiding.

- *Power supply for operator
- 1) Alternative 1
- Phase, 230V 10 amp (CEE wall socket or isolator switch) to be located within 0,5 m from the operator (by others)
 - 2) Alternative 2 (if S then power-supply to CU)
- Phase, 230 V 10 amp (CEE wall socket or isolator switch) to be located adjacent to the control unit (by others)

**Minimum Side space per side	
Control box mounted	Side space ~
No	132 / 165
Yes	300 / 300

~ Values without / with Outer Support Bearing.
(Outer support bearing is mounted in case Doorweight >350kg or DLW>6000)

NOTE:
Leveled threshold not recommended
To reduce possible water ingress apply:
a) 10mm height difference
or
b) slope min. 3°



THRESHOLD DETAIL D (1 : 10)

Contact										
Pos	Quantity	Day light width	Day light height	Headroom	Depth	Side space left	Side space right	Track angle	Lintel Offset	
								°(deg)	<input type="checkbox"/> None <input type="checkbox"/> 40 mm <input type="checkbox"/> 60 mm	
Quote / Order Number		Project:			Notes:					
Date										
Drawn by										
A	-	9547	305 WAS 265; 340 WAS 300		2018-06-05	ML	SV			
Rev.	No.	AN No.	Revision	Date	Drawn	Appr.				

Drawn ML	Appr. BV	Dimensions without specified tolerances refer to: Valid at date of latest rev.	Scale 	File 	Size A1
		ARCHITECT/BUILD. PREP.	Replaces		
		OHSD-82 - LL	Status P	AN No. 9547	Date 2018-01-03
		ELECTR. CENTER OPER.	Drawing No. K068911	Rev. A	