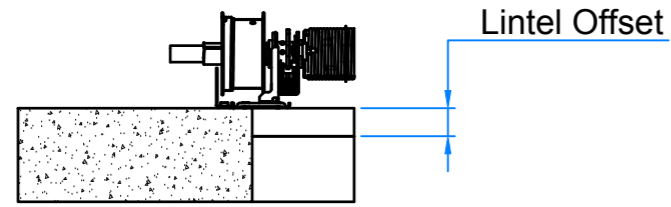
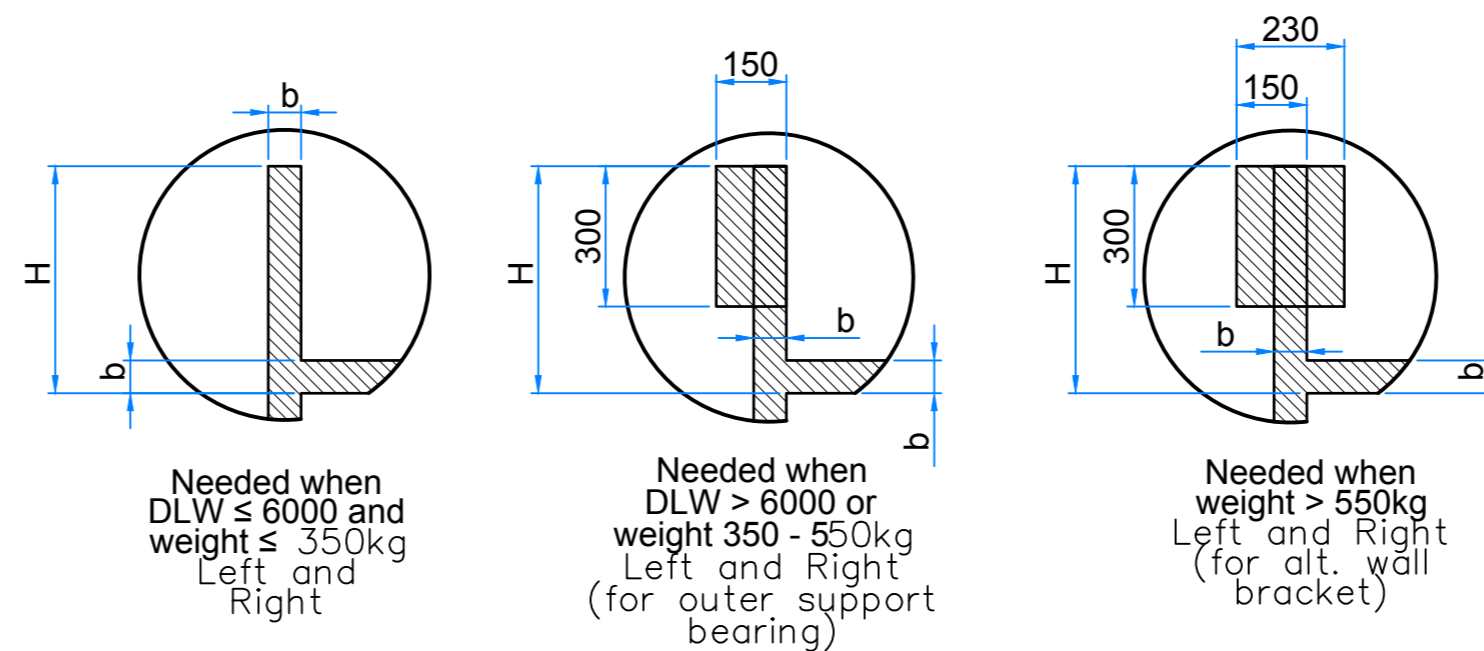
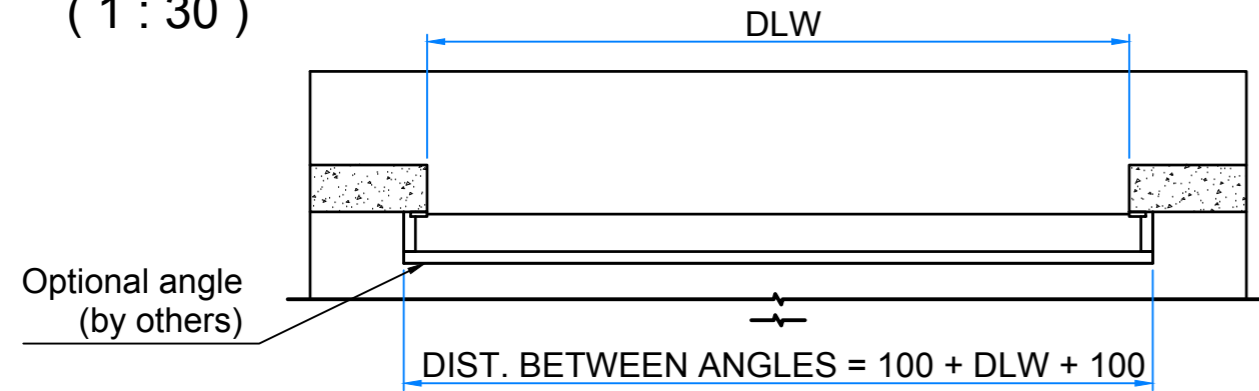


This drawing will remain our property. The drawing must not, without our knowledge, neither in original nor in copy, be reproduced, copied, or used for production. Transgression will be prosecuted according to existing law.

SECTION C-C
(1 : 15)



SECTION B-B
(1 : 30)



Installation frame, integrated in or securely fixed to the building.

Installation frame		
Material	Width b (minimum)	
Steel	70 mm while t > 2mm	<input type="checkbox"/>
Wood	70 mm while t > 100mm	<input type="checkbox"/>
Stone/Concrete	70 mm while t > 100mm	<input type="checkbox"/>

t = Material thickness

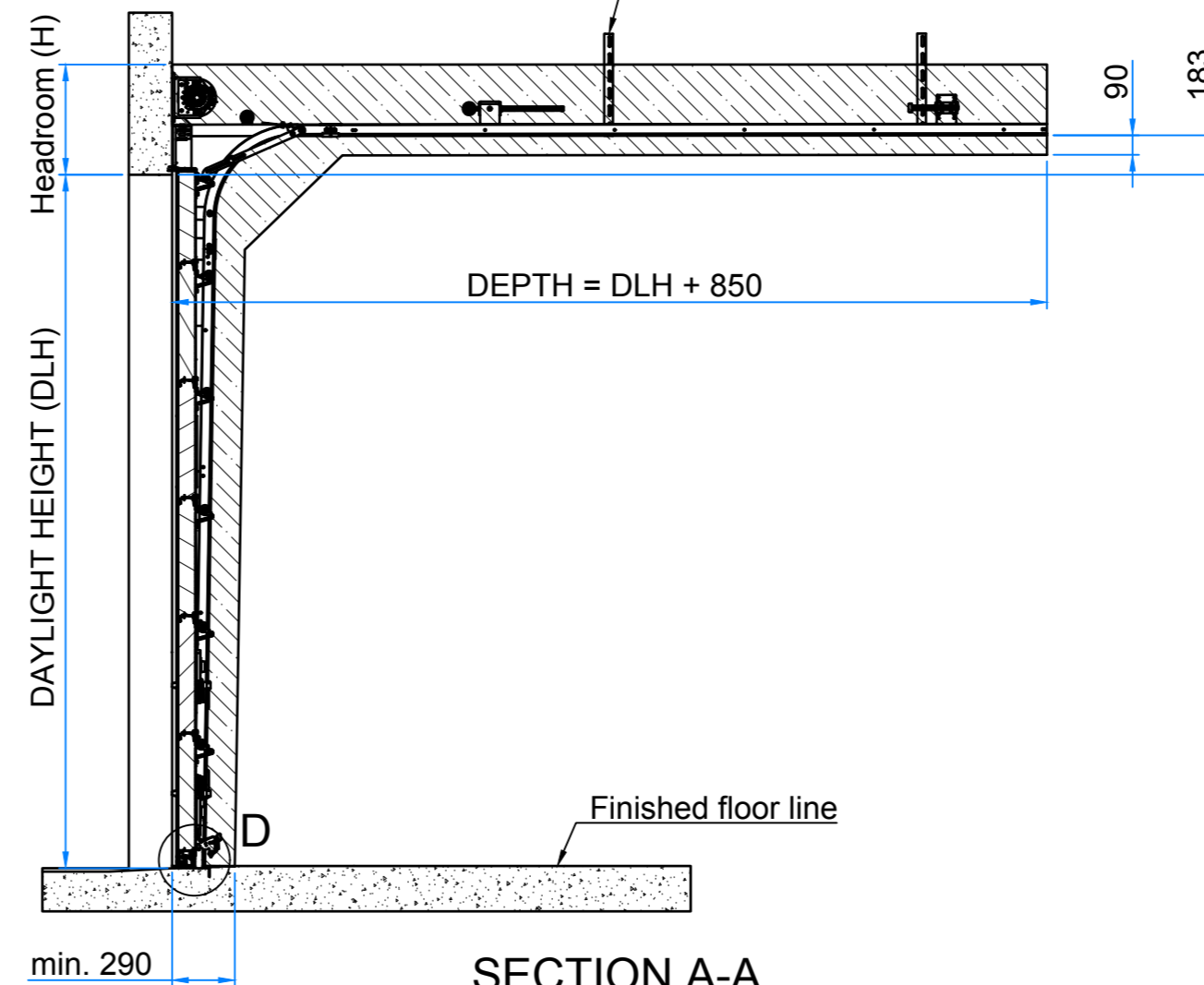
Required free space for the door above the opening, includes the whole marked area above the opening.

Required free space around the door guiding.

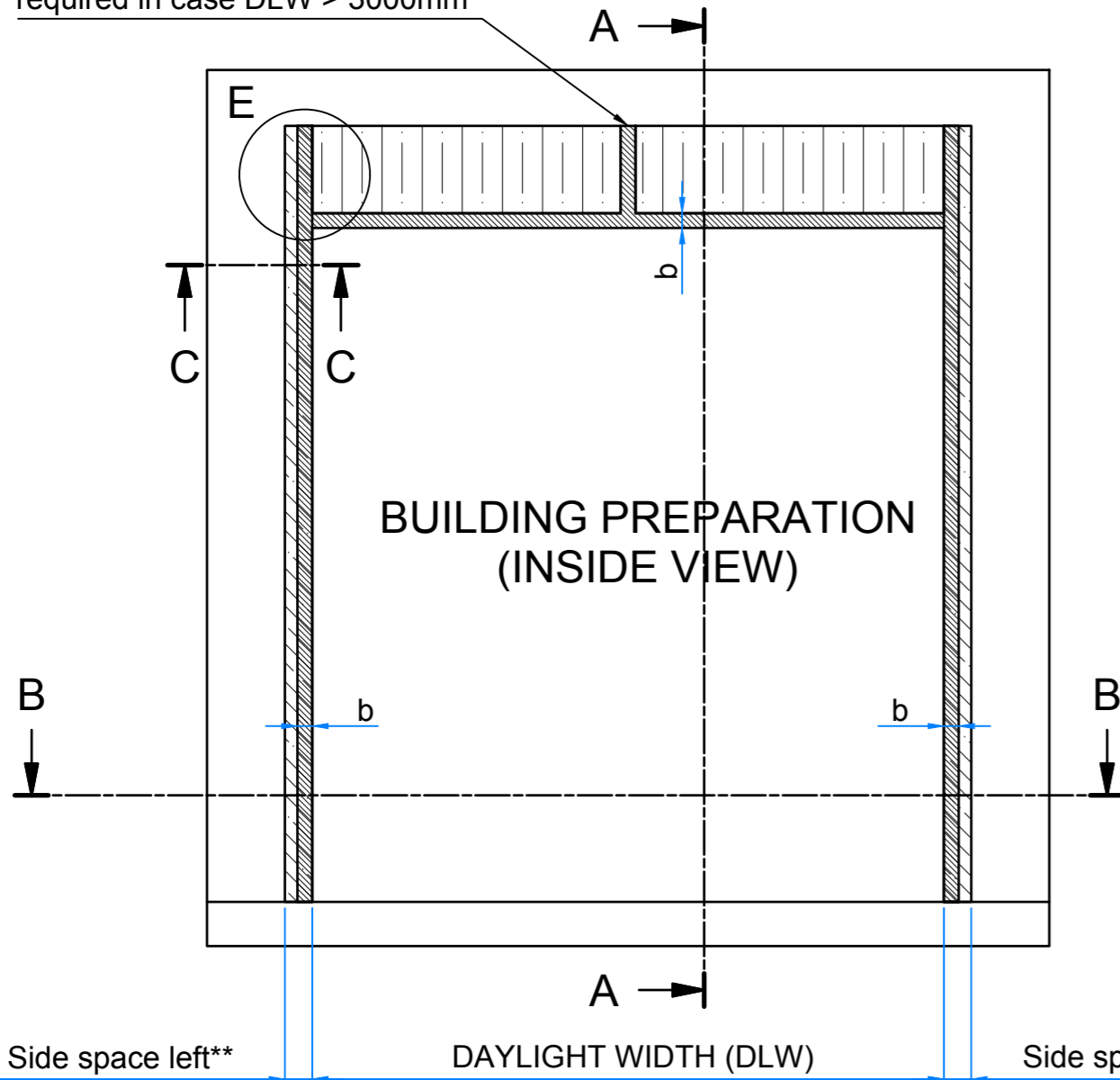
E (1 : 15)

DLH	H
≤ 4500	485
>4500	510

Note: Installation areas to the ceiling are not included in the commitment



Needed for Center support required in case DLW > 3000mm

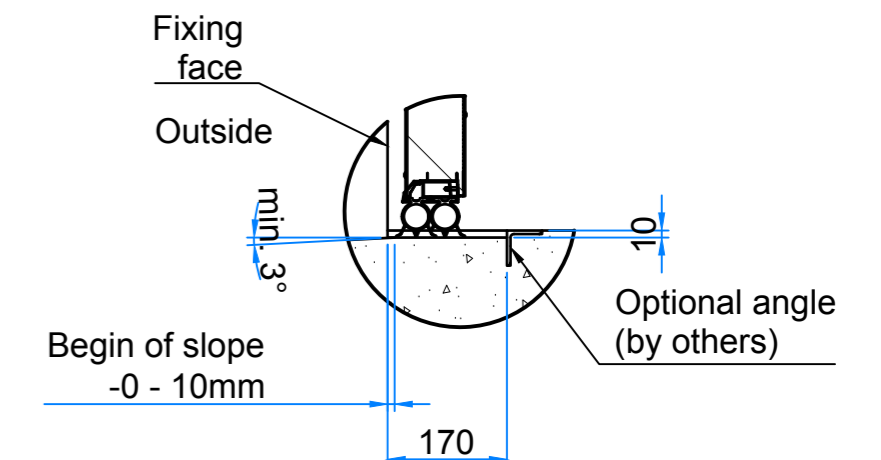


**Minimum Side space per side

Hoist type mounted	Side space ~
None	132 / 165
D- / T-Hoist	212 / -
U-Hoist	278 / 278

~ Values without / with Outer Support Bearing. (Outer support bearing is mounted in case Doorweight >350kg or DLW>6000)

NOTE:
Leveled threshold not recommended
To reduce possible water ingress apply:
a) 10mm height difference
or
b) slope min. 3°



THRESHOLD DETAIL D (1 : 10)

Contact									
Pos	Quantity	Day light width	Day light height	Headroom	Depth	Side space left	Side space right	Track angle	Lintel Offset
								°(deg)	<input type="checkbox"/> None <input type="checkbox"/> 40 mm <input type="checkbox"/> 60 mm

Quote / Order Number	Project:	Notes:
Date		
Drawn by		

Rev.	No.	AN No.	Revision	Date	Drawn	Appr.

Drawn ML	Appr. BV	Dimensions without specified tolerances refer to: Valid at date of latest rev.	Scale 	File 	Size A2
ARCHITECT/BUILD. PREP.		Replaces			
1082 - SL		Status P	AN No. 9547	Date 2018-01-03	
MANUAL OPERATION		Drawing No. K068900	Rev.		