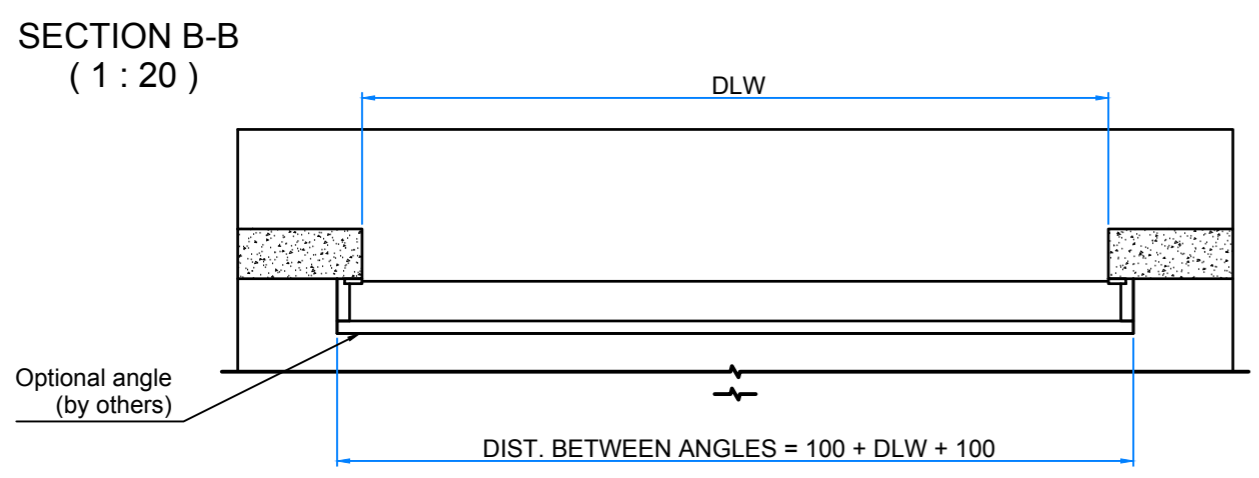
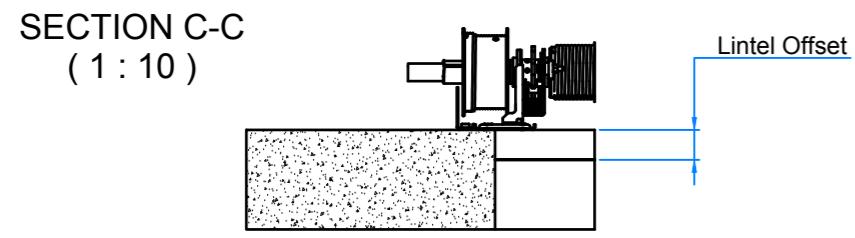
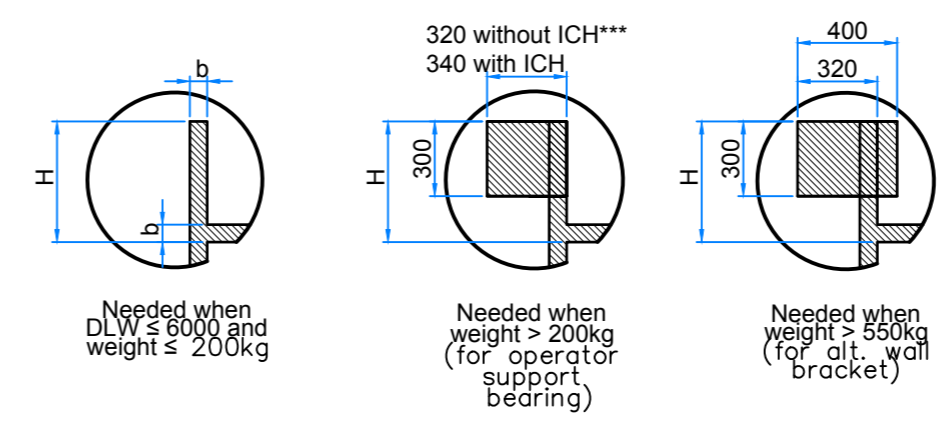


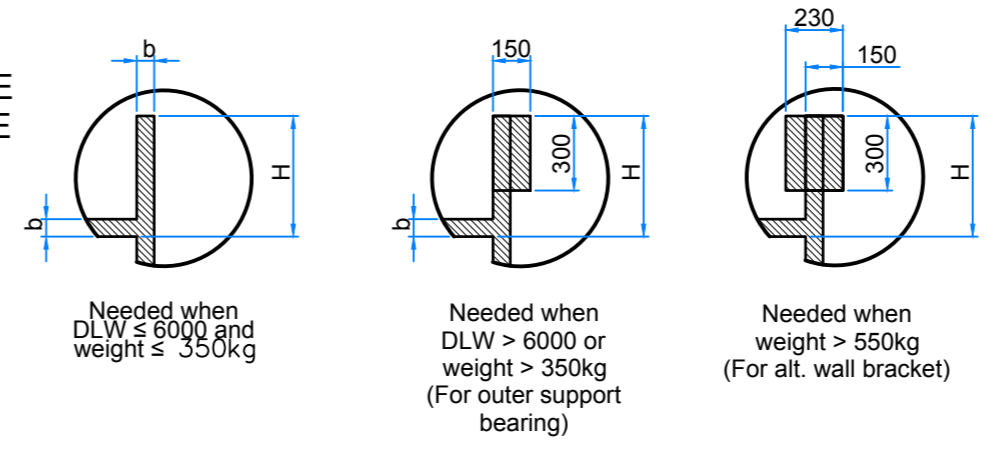
This drawing will remain our property. The drawing must not without our knowledge, neither in original or any altered shape, be copied or multiplied, shown to or in any other respect made known to third parties nor be used for production. Transgression will be prosecuted according to existing law.



DETAIL E (1 : 20) INSTALLATION FRAME OPERATOR SIDE



DETAIL F (1 : 20) INSTALLATION FRAME NON-OPERATOR SIDE



Installation frame, integrated in or securely fixed to the building.

Installation frame		
Material	Width b (minimum)	
Steel	70 mm while t > 2mm	<input type="checkbox"/>
Wood	70 mm while t > 100mm	<input type="checkbox"/>
Stone/Concrete	70 mm while t > 100mm	<input type="checkbox"/>

t = Material thickness

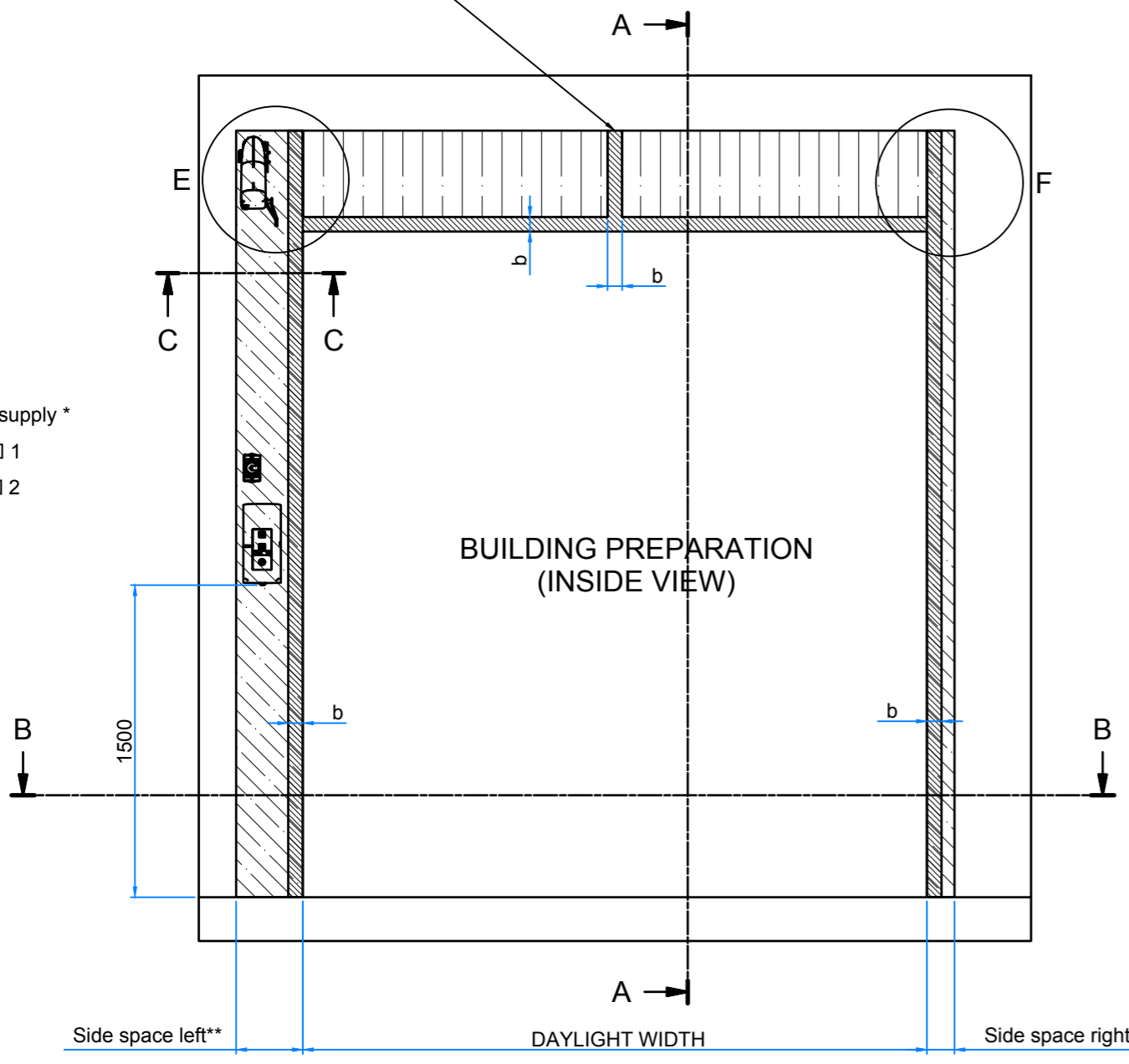
Required free space for the door above the opening, includes the whole marked area above the opening.

Required free space around the door guiding.

*Power supply for operator

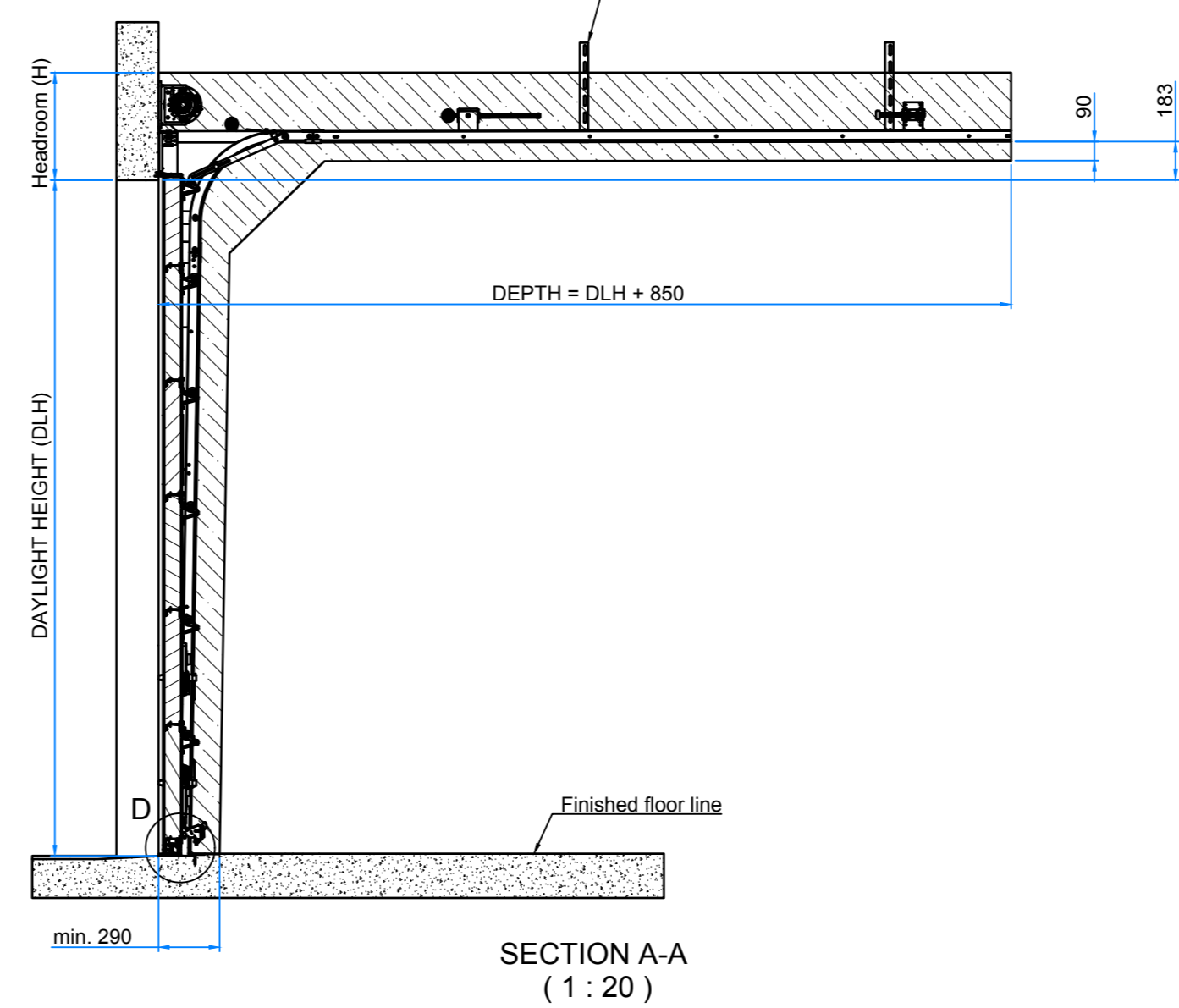
- Alternative 1
- Phase, 230V 10 amp (CEE wall socket or isolator switch) to be located within 0,5 m from the operator (by others)
- Alternative 2 (if S then power-supply to CU)
- Phase, 230 V 10 amp (CEE wall socket or isolator switch) to be located adjacent to the control unit (by others)

Needed for Center support required in case DLW > 3000mm



DLH	H
≤ 4500	485
>4500	510

Note: Installation areas to the ceiling are not included in the commitment



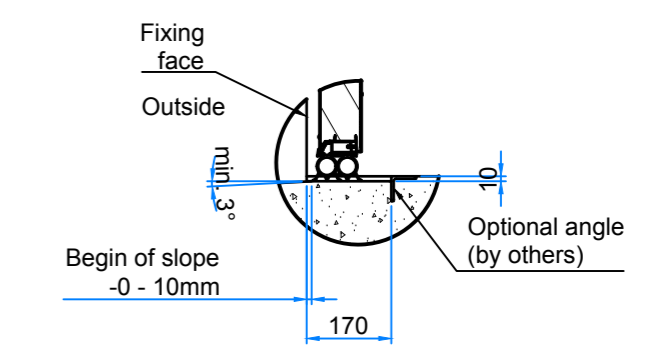
**Minimum Side space per side

Operator mounted	Side space~~
None	132 / 165
Operator - no ICH	270 / 315
Operator + ICH	310 / 355

ICH: Intergrated Chain Hoist on Operator

~~ Values without / with Outer Support Bearing. (Outer support bearing is mounted in case Doorweight >350kg or DLW>6000)

NOTE:
Leveled threshold not recommended
To reduce possible water ingress apply:
a) 10mm height difference
or
b) slope min. 3°



Contact									
Pos	Quantity	Day light width	Day light height	Headroom	Depth	Side space left	Side space right	Track angle	Lintel Offset
								°(deg)	<input type="checkbox"/> None <input type="checkbox"/> 40 mm <input type="checkbox"/> 60 mm
Quote / Order Number		Project:			Notes:				
Date									
Drawn by									
Rev.	No.	AN No.	Revision	Date	Drawn	Appr.			

Drawn ML	Appr. BV	Dimensions without specified tolerances refer to: Valid at date of latest rev.	Scale	File	Size A1
		ARCHITECT/BUILD. PREP.	Replaces		
		1082 - SL	Status P	AN No. 9547	Date 2018-01-03
		ELECTR. SIDE OPER.	Drawing No. K068901	Rev.	