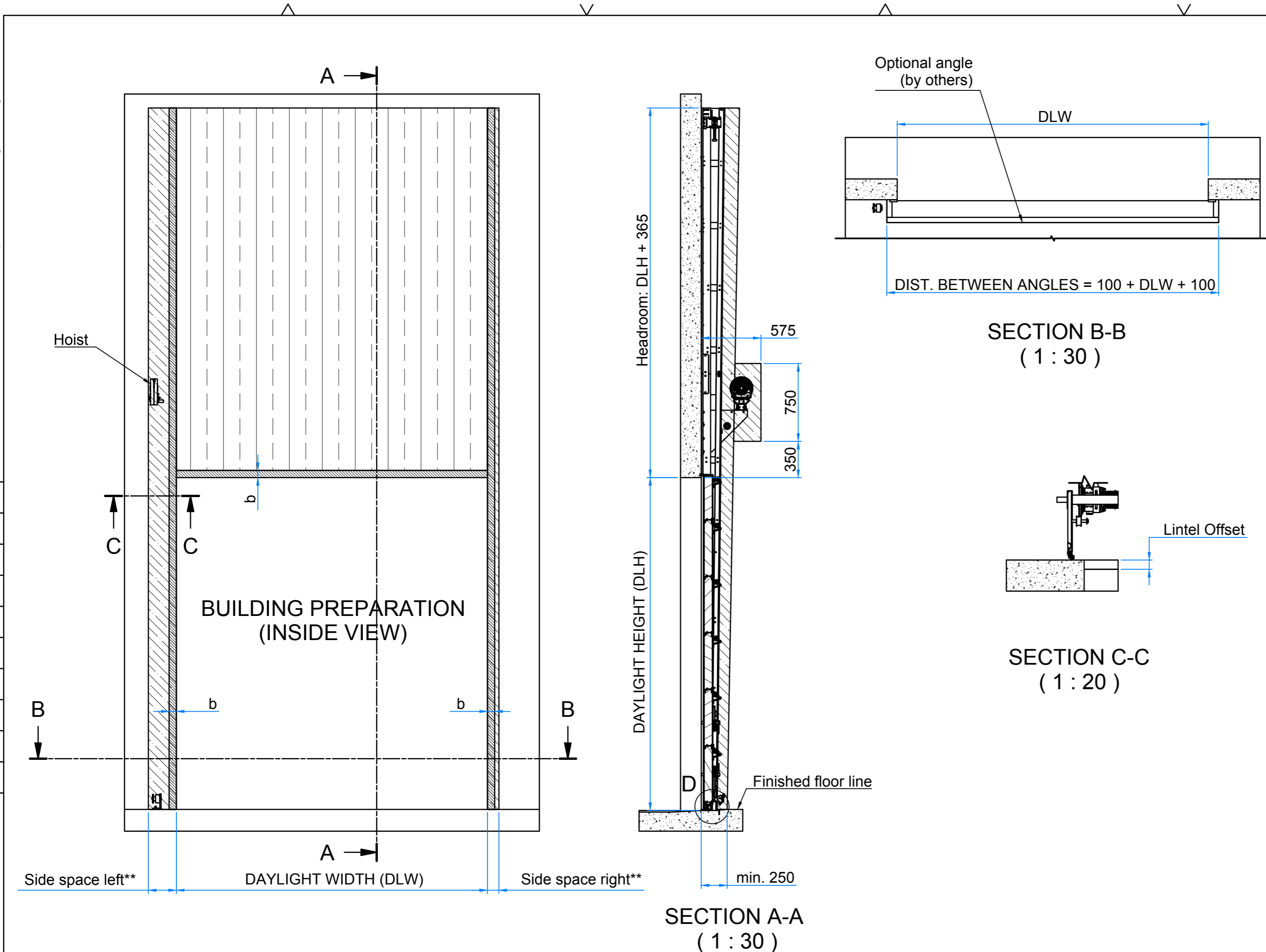


This drawing will remain our property. The drawing must not, without our knowledge, be copied or multiplied, or in any other respect made known to third parties nor be used for production. Transgression will be prosecuted according to existing law.



Installation frame, integrated in or securely fixed to the building.

Installation frame		
Material	Width b (minimum)	
Steel	70 mm while t > 2mm	<input type="checkbox"/>
Wood	70 mm while t > 100mm	<input type="checkbox"/>
Stone/Concrete	70 mm while t > 100mm	<input type="checkbox"/>

t = Material thickness

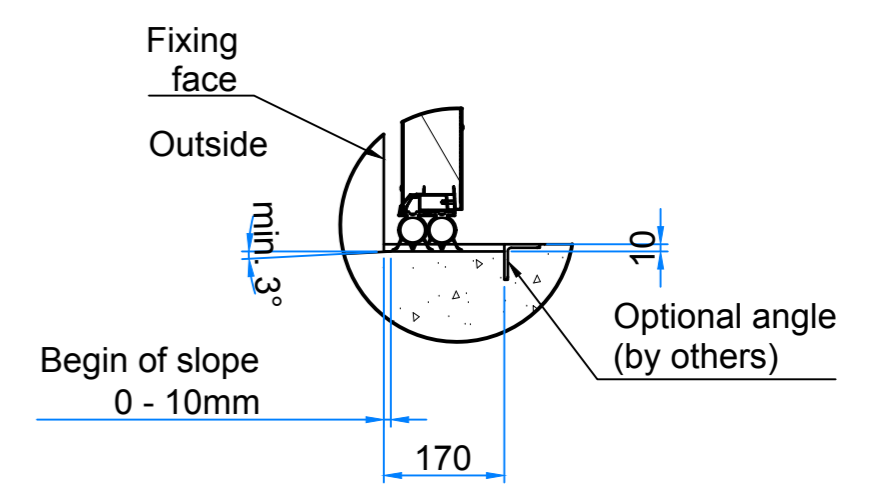
Required free space for the door above the opening, includes the whole marked area above the opening.

Required free space around the door guiding.

**Minimum Side space per side	
Hoist type mounted	Side space ~
None	106 / 160
D- / T-hoist	212 / -
U-hoist	278 / 278

~ Space without / with Outer Support Bearing (Outer Support Bearing needed in case DLW > 6000 or doorweight > 350kg)

NOTE:
 Levelled threshold not recommended
 To reduce possible water ingress apply:
 a) 10mm height difference
 or
 b) slope min. 3°



THRESHOLD DETAIL D (1 : 10)

Contact									
Pos	Quantity	Day light width	Day light height	Headroom	Depth	Side space left	Side space right	Track angle	Lintel Offset
								°(deg)	<input type="checkbox"/> None <input type="checkbox"/> 40 mm <input type="checkbox"/> 60 mm
Quote / Order Number		Project:			Notes:				
Date									
Drawn by									
Rev.	No.	AN No.	Revision	Date	Drawn	Appr.			

Drawn ML	Appr. BV	Dimensions without specified tolerances refer to: <small>Valid at date of latest rev.</small>	Scale 	File 	Size A2
		ARCHITECT/BUILD. PREP.	Replaces		
		1082 - VL (with beam)	Status P	AN No. 9547	Date 2018-01-03
		MANUAL OPERATION	Drawing No. K068920	Rev.	