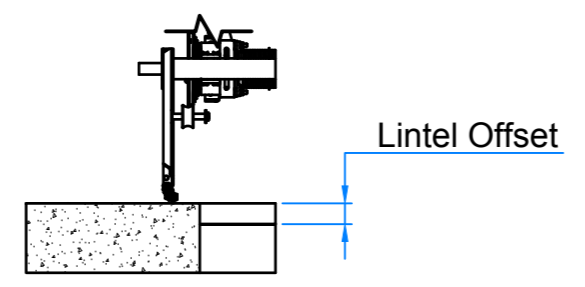
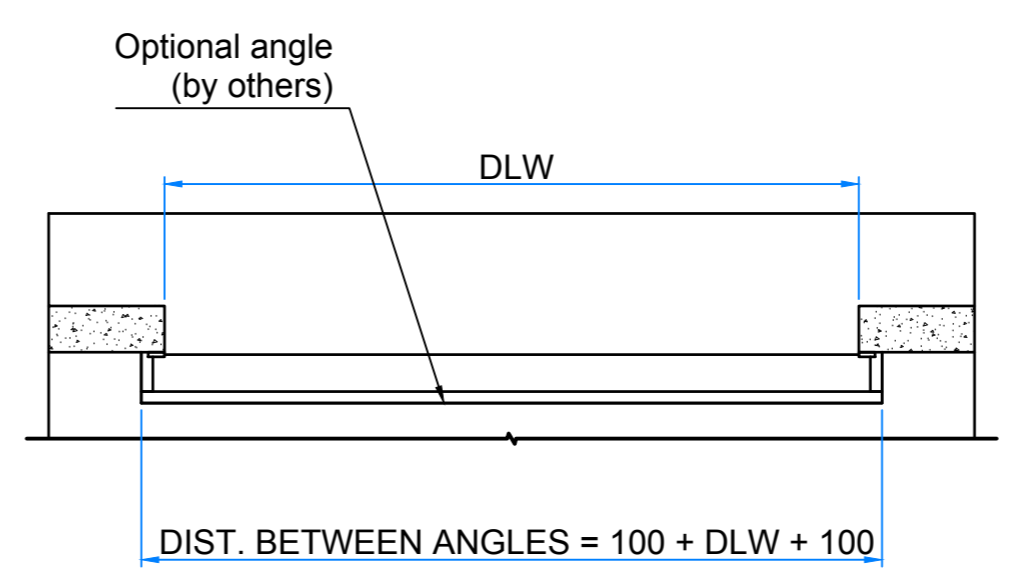
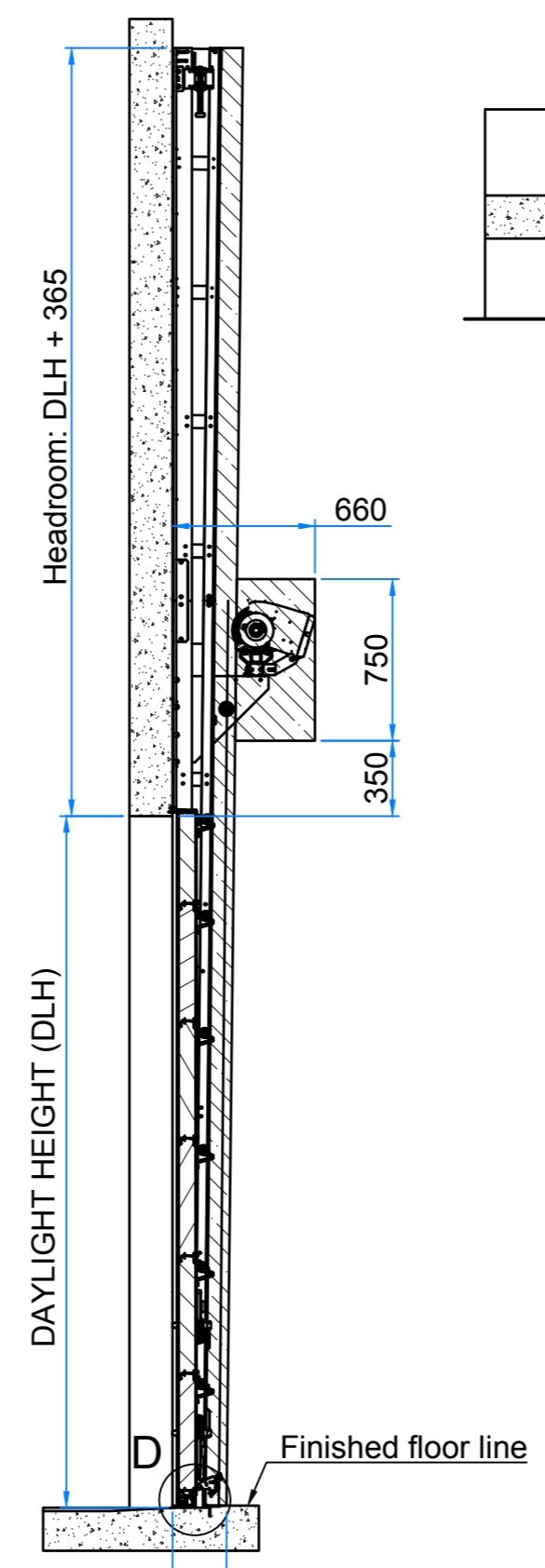
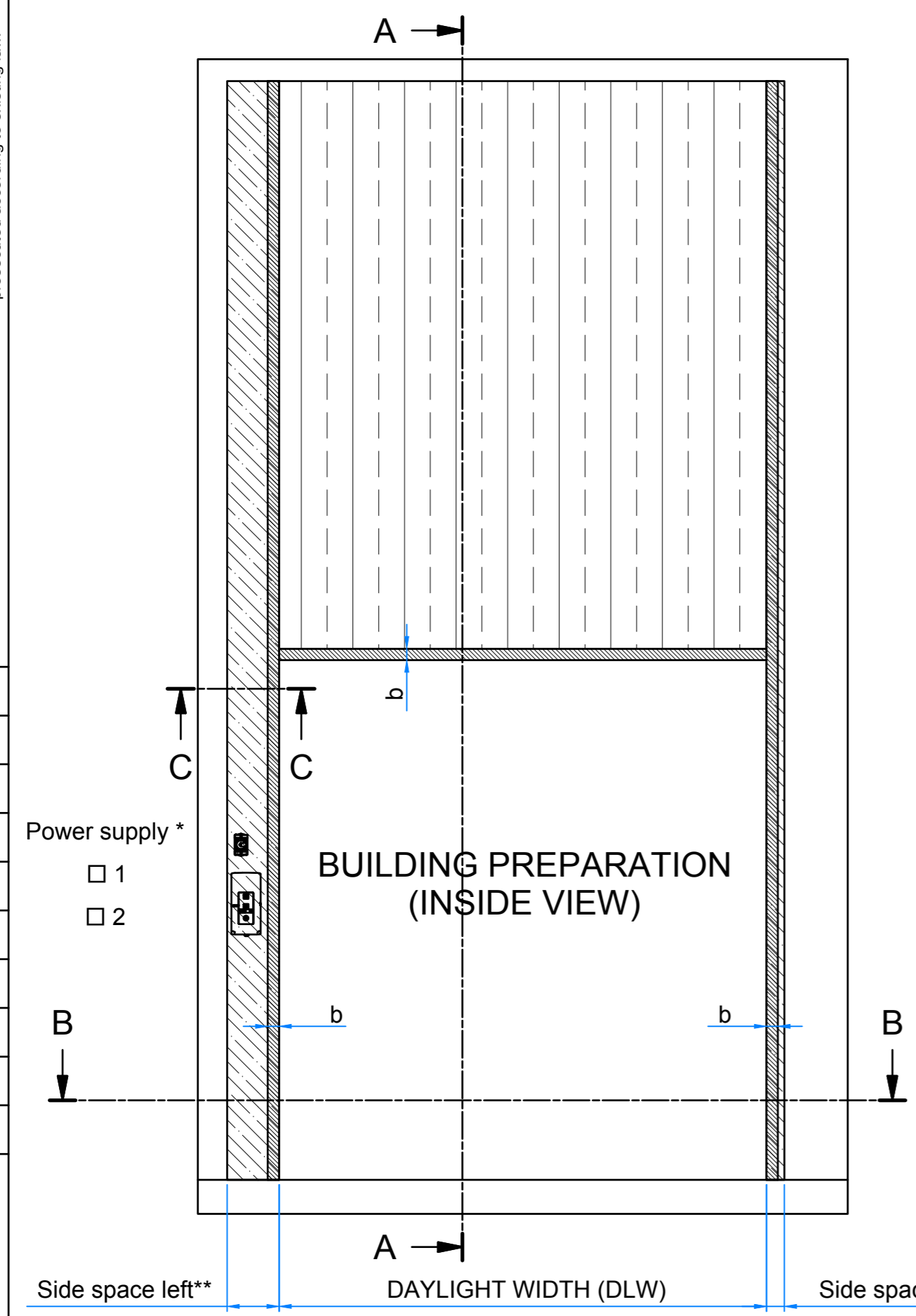


This drawing will remain our property. The drawing must not, without our knowledge, be reproduced, copied, or in any other respect made known to third parties nor be used for production. Transgression will be prosecuted according to existing law.



Installation frame, integrated in or securely fixed to the building.

Installation frame		
Material	Width b (minimum)	
Steel	70 mm while t > 2mm	<input type="checkbox"/>
Wood	70 mm while t > 100mm	<input type="checkbox"/>
Stone/Concrete	70 mm while t > 100mm	<input type="checkbox"/>

t = Material thickness

- Required free space for the door above the opening, includes the whole marked area above the opening.
- Required free space around the door guiding.

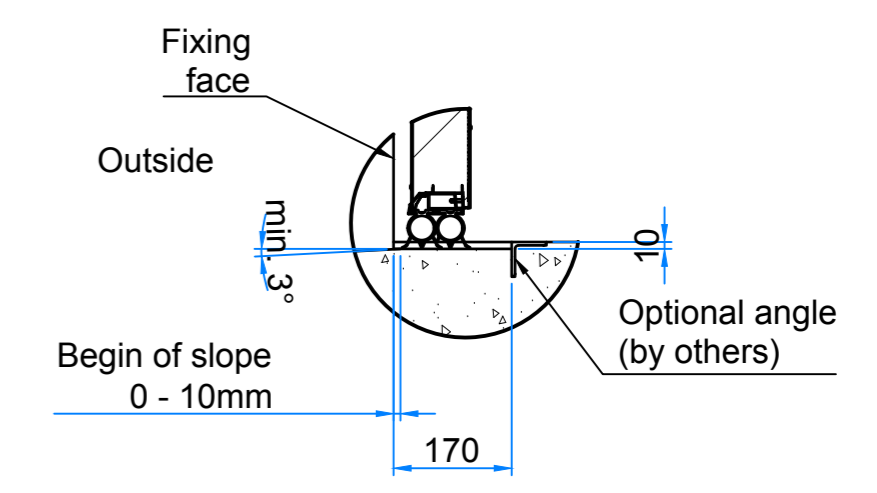
- *Power supply for operator
- 1) Alternative 1
 - Phase, 230V 10 amp (CEE wall socket or isolator switch) to be located within 0,5 m from the operator (by others)
 - 2) Alternative 2 (if S then power-supply to CU)
 - Phase, 230 V 10 amp (CEE wall socket or isolator switch) to be located adjacent to the control unit (by others)

**Minimum Side space per side

Control box mounted	Side space ~
No	106 / 160
Yes	300 / 300

~ Space without / with Outer Support Bearing (Outer Support Bearing needed in case DLW > 6000 or doorweight > 350kg)

NOTE:
 Levelled threshold not recommended
 To reduce possible water ingress apply:
 a) 10mm height difference
 or
 b) slope min. 3°



Contact											
Pos	Quantity	Day light width	Day light height	Headroom	Depth	Side space left	Side space right	Track angle	Lintel Offset		
								°(deg)	<input type="checkbox"/> None	<input type="checkbox"/> 40 mm	<input type="checkbox"/> 60 mm

Quote / Order Number	Project:	Notes:
Date		
Drawn by		

Rev.	No.	AN No.	Revision	Date	Drawn	Appr.

Drawn ML	Appr. BV	Dimensions without specified tolerances refer to: Valid at date of latest rev.	Scale	File	Size A2
		Replaces			
		ARCHITECT/BUILD. PREP. 1082 - VL (with beam)	Status P	AN No. 9547	Date 2018-01-03
		ELECTR. CENTER OPER.	Drawing No. K068923	Rev.	