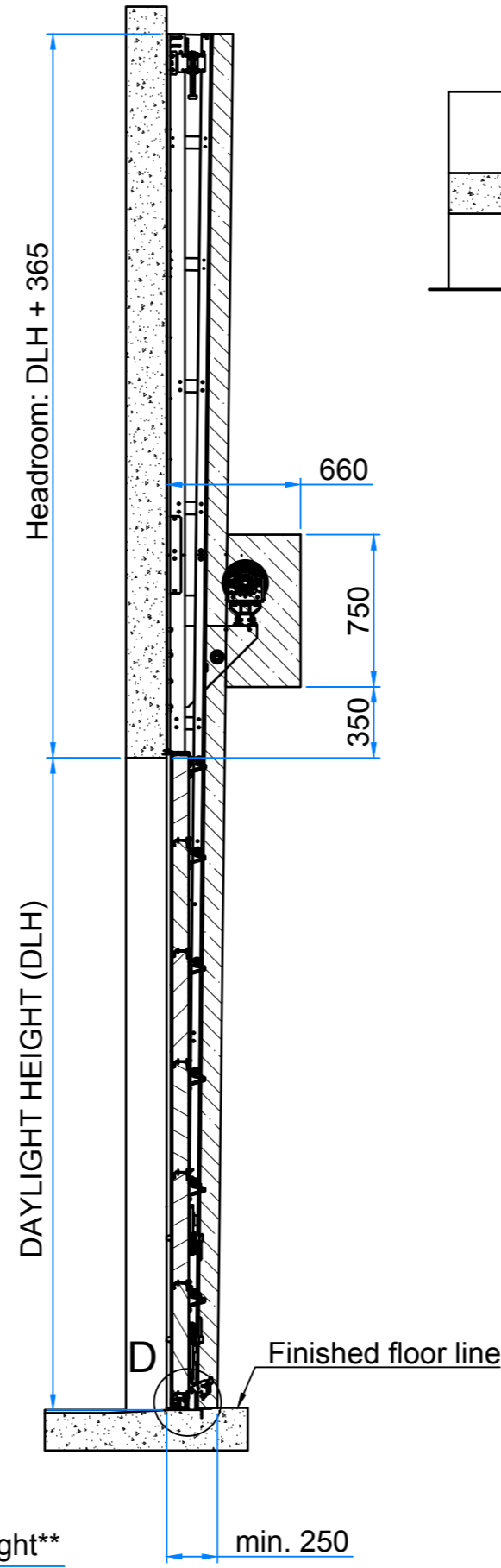
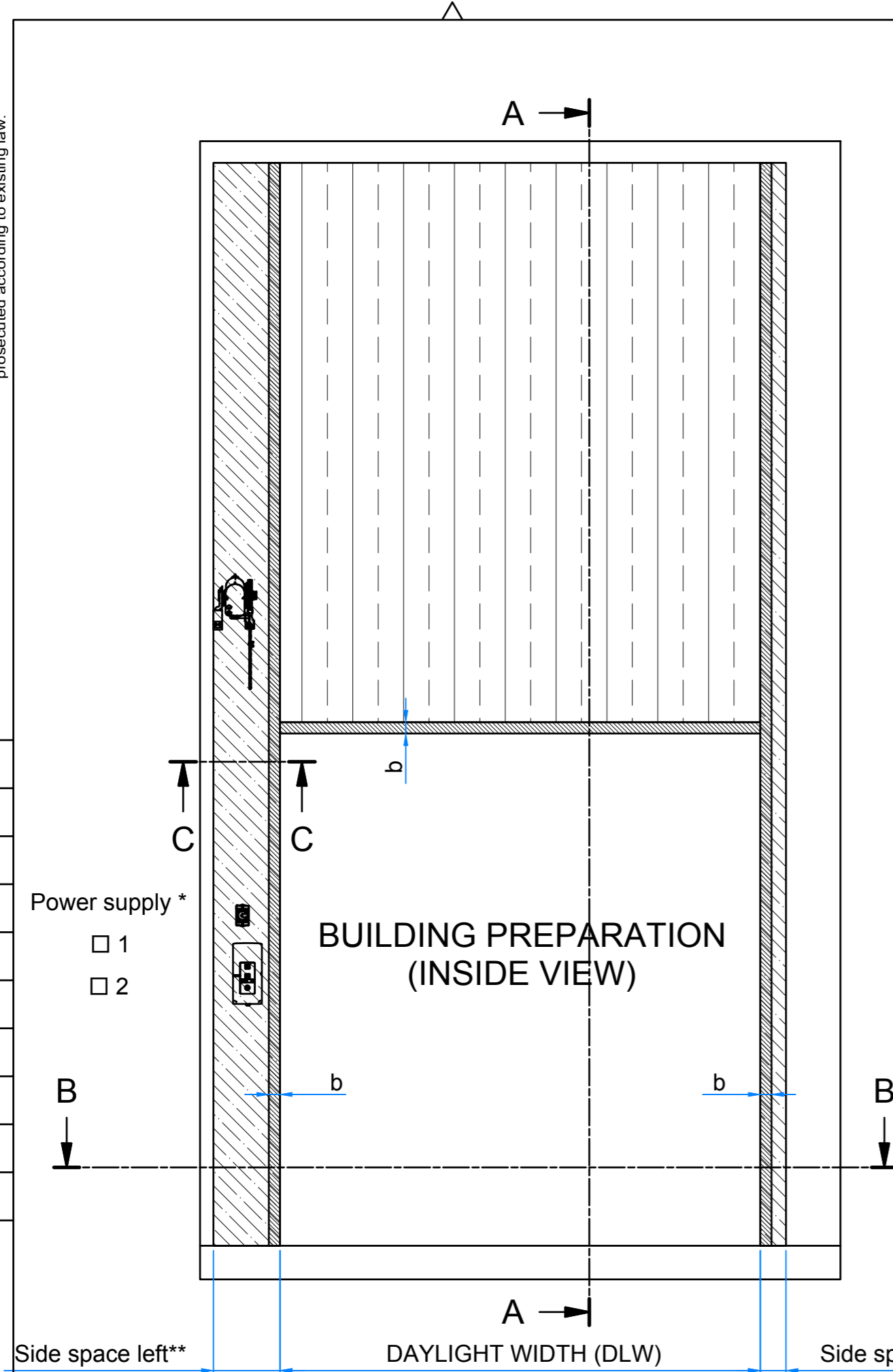
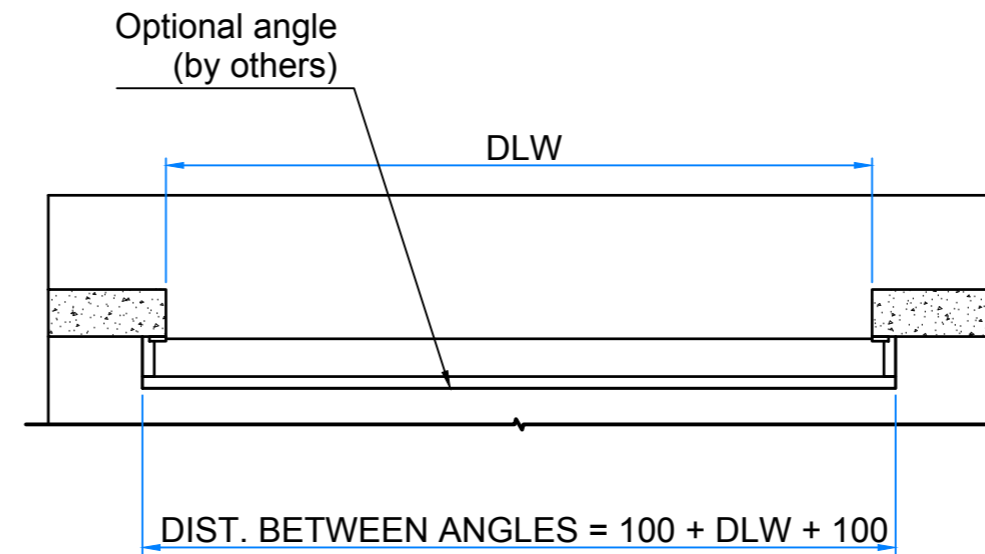


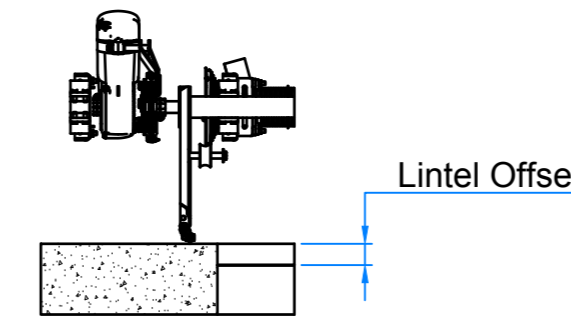
This drawing will remain our property. The drawing must not, without our knowledge, neither in original nor in copy, be reproduced, stored in a retrieval system, or in any other respect made known to third parties nor be used for production. Transgression will be prosecuted according to existing law.



SECTION A-A  
( 1 : 30 )



SECTION B-B  
( 1 : 30 )



SECTION C-C  
( 1 : 20 )

Installation frame, integrated in or securely fixed to the building.

Installation frame		
Material	Width b (minimum)	
Steel	70 mm while t > 2mm	<input type="checkbox"/>
Wood	70 mm while t > 100mm	<input type="checkbox"/>
Stone/Concrete	70 mm while t > 100mm	<input type="checkbox"/>

t = Material thickness

Required free space for the door above the opening, includes the whole marked area above the opening.

Required free space around the door guiding.

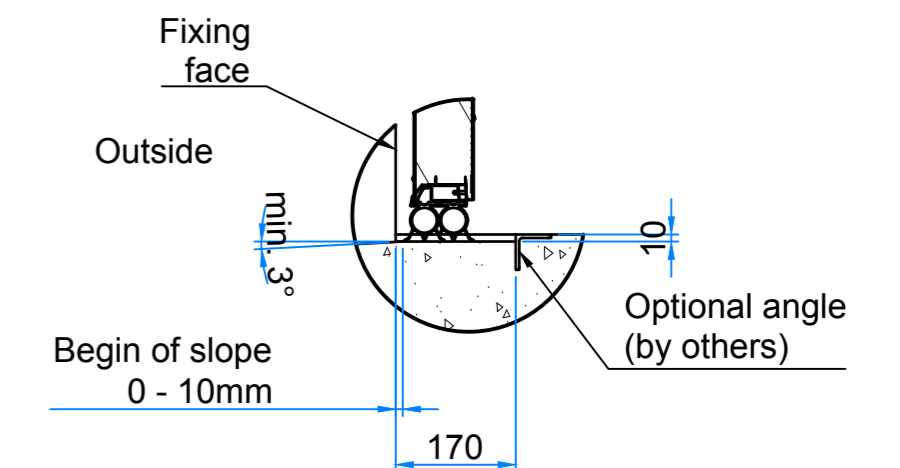
\*Power supply for operator

- 1) Alternative 1  
- Phase, 230V 10 amp (CEE wall socket or isolator switch) to be located within 0,5 m from the operator (by others)
- 2) Alternative 2 (if S then power-supply to CU)  
- Phase, 230 V 10 amp (CEE wall socket or isolator switch) to be located adjacent to the control unit (by others)

**Side space per side	
Operator mounted	Side space ~
None	106 / 160
Operator - no ICH	312 / 376
Operator - with ICH	352 / 416

~ Space without / with Outer Support Bearing (Outer Support Bearing needed in case DLW > 6000 or doorweight > 350kg)

NOTE:  
Leveled threshold not recommended  
To reduce possible water ingress apply:  
a) 10mm height difference  
or  
b) slope min. 3°



THRESHOLD DETAIL D ( 1 : 10 )

Contact									
Pos	Quantity	Day light width	Day light height	Headroom	Depth	Side space left	Side space right	Track angle	Lintel Offset
								°(deg)	<input type="checkbox"/> None <input type="checkbox"/> 40 mm <input type="checkbox"/> 60 mm

Quote / Order Number	Project:	Notes:
Date		
Drawn by		

Rev.	No.	AN No.	Revision	Date	Drawn	Appr.

Drawn ML	Appr. BV	Dimensions without specified tolerances refer to: Valid at date of latest rev.	Scale 	File 	Size A2
Replaces		Status P	AN No. 9547	Date 2018-01-03	Rev.
ARCHITECT/BUILD. PREP. 1082 - VL (with beam)		Drawing No. K068921			
ELECTR. SIDE OPER.					