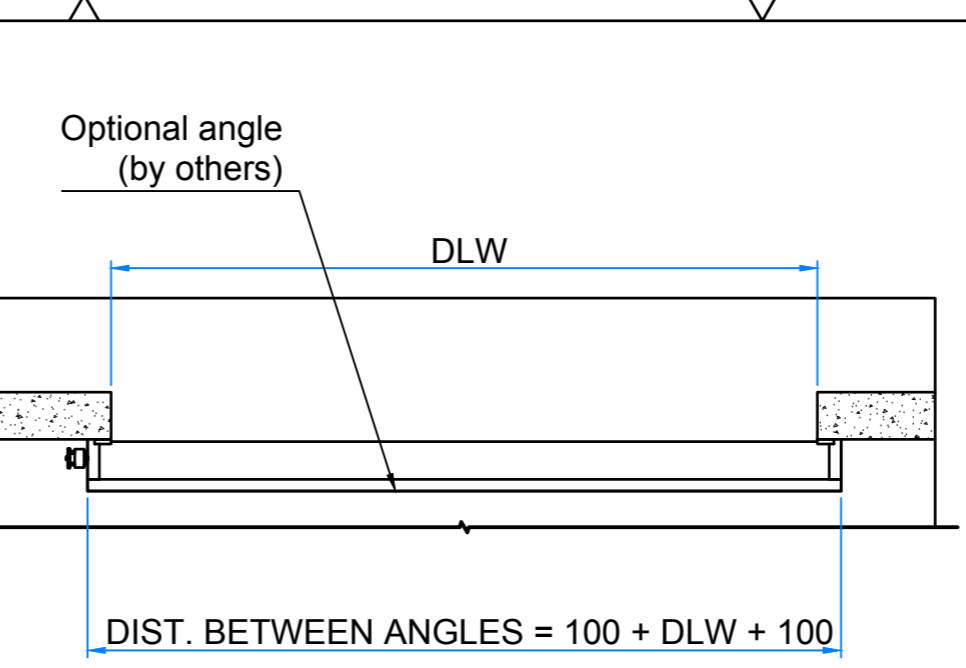
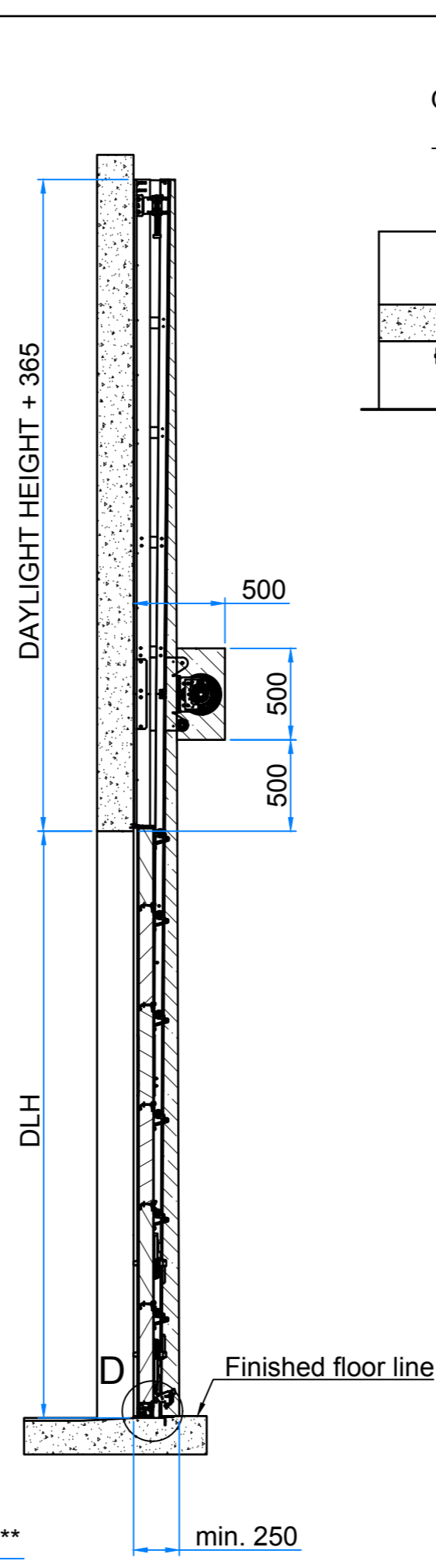
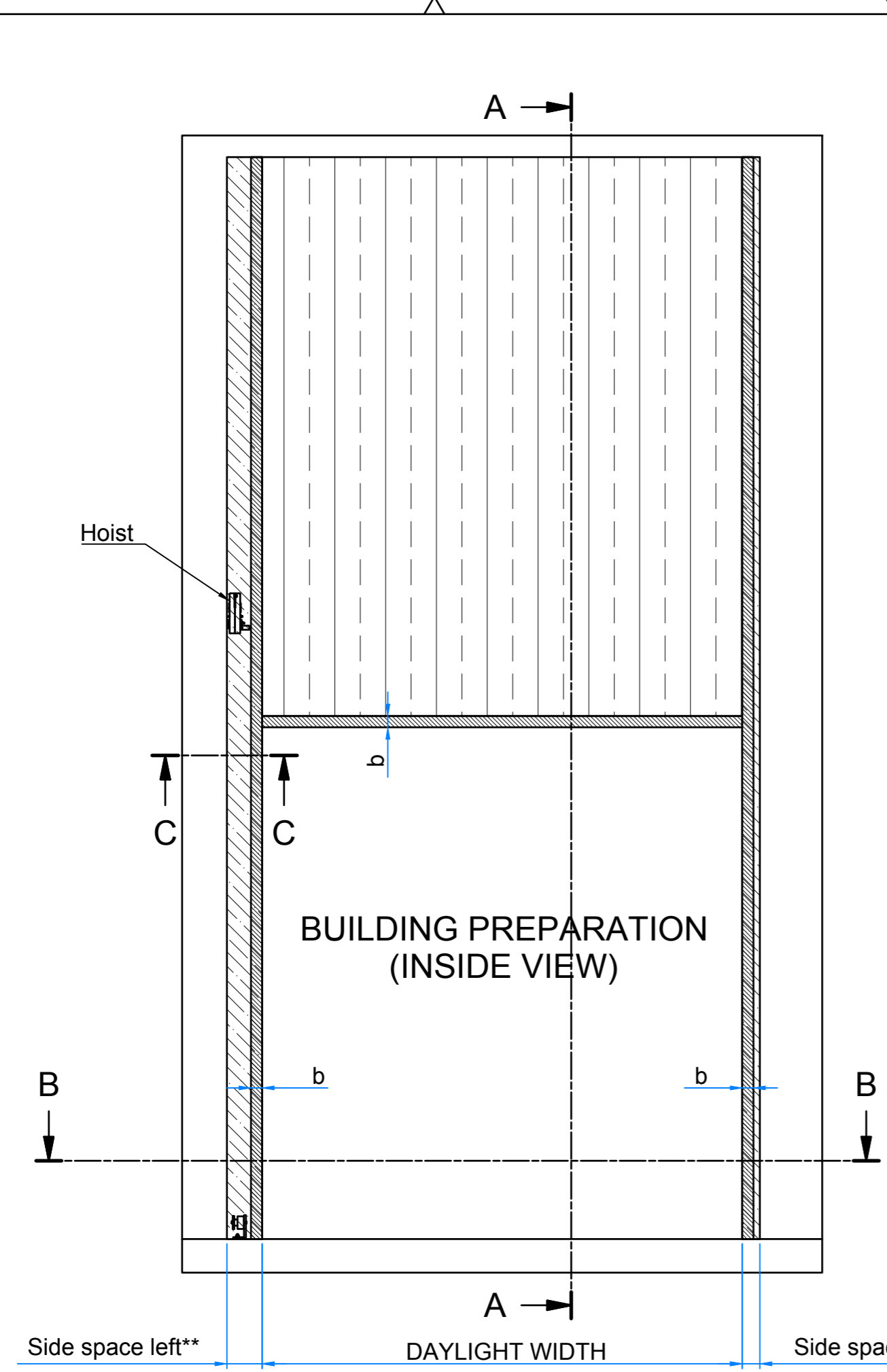
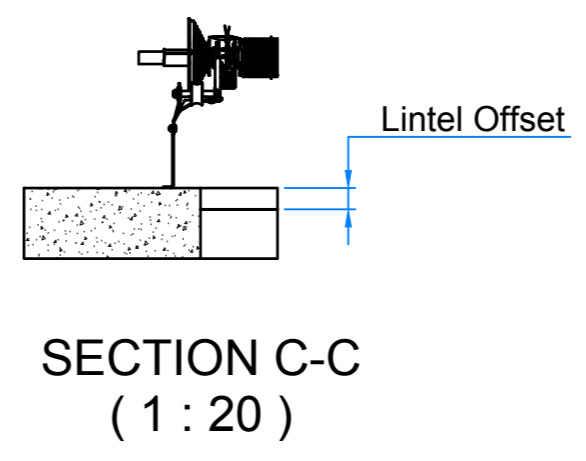


This drawing will remain our property. The drawing must not, without our knowledge, be copied, altered, or any altered shape, be copied or multiplied, shown or used in any way, without the written permission of the drawing office. The drawing office will be prosecuted according to existing law.



SECTION B-B
(1 : 30)



SECTION C-C
(1 : 20)

Installation frame, integrated in or securely fixed to the building.

Installation frame		
Material	Width b (minimum)	
Steel	70 mm while t > 2mm	<input type="checkbox"/>
Wood	70 mm while t > 100mm	<input type="checkbox"/>
Stone/Concrete	70 mm while t > 100mm	<input type="checkbox"/>

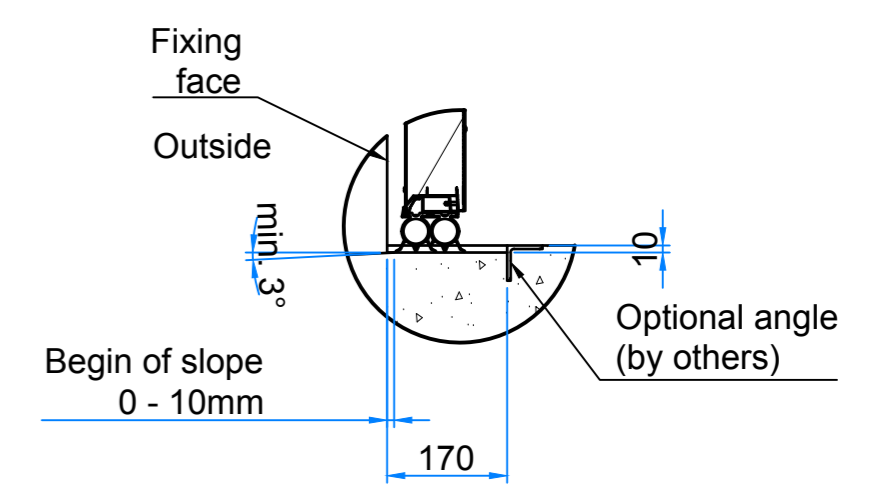
t = Material thickness

Required free space for the door above the opening, includes the whole marked area above the opening.

Required free space around the door guiding.

**Minimum Side space per side	
Hoist type mounted	Side space
None	110
D- / T-hoist	216
U-hoist	278

NOTE:
 Levelled threshold not recommended
 To reduce possible water ingress apply:
 a) 10mm height difference
 or
 b) slope min. 3°



THRESHOLD DETAIL D (1 : 10)

Contact									
Pos	Quantity	Day light width	Day light height	Headroom	Depth	Side space left	Side space right	Track angle	Lintel Offset
								°(deg)	<input type="checkbox"/> None <input type="checkbox"/> 40 mm <input type="checkbox"/> 60 mm

Quote / Order Number	Project:	Notes:
Date		
Drawn by		

Rev.	No.	AN No.	Revision	Date	Drawn	Appr.

Drawn ML	Appr. BV	Dimensions without specified tolerances refer to: Valid at date of latest rev.	Scale	File	Size A2
		ARCHITECT/BUILD. PREP. 1082 - VL (without beam)	Replaces		
		MANUAL OPERATION	Status P	AN No. 9547	Date 2018-01-03
			Drawing No. K068924	Rev.	