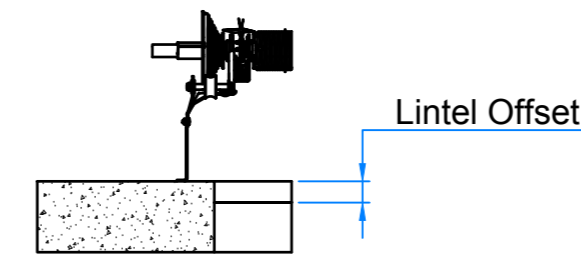
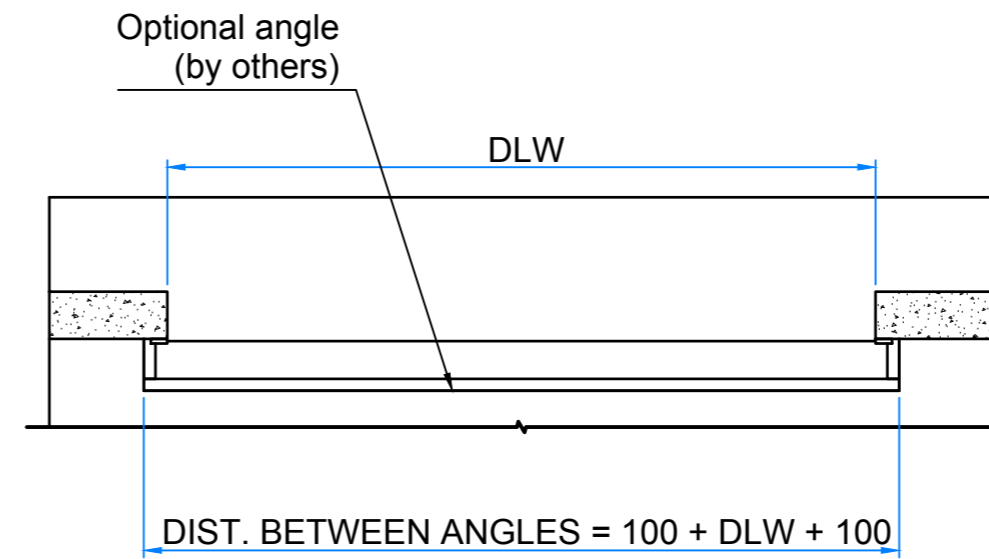
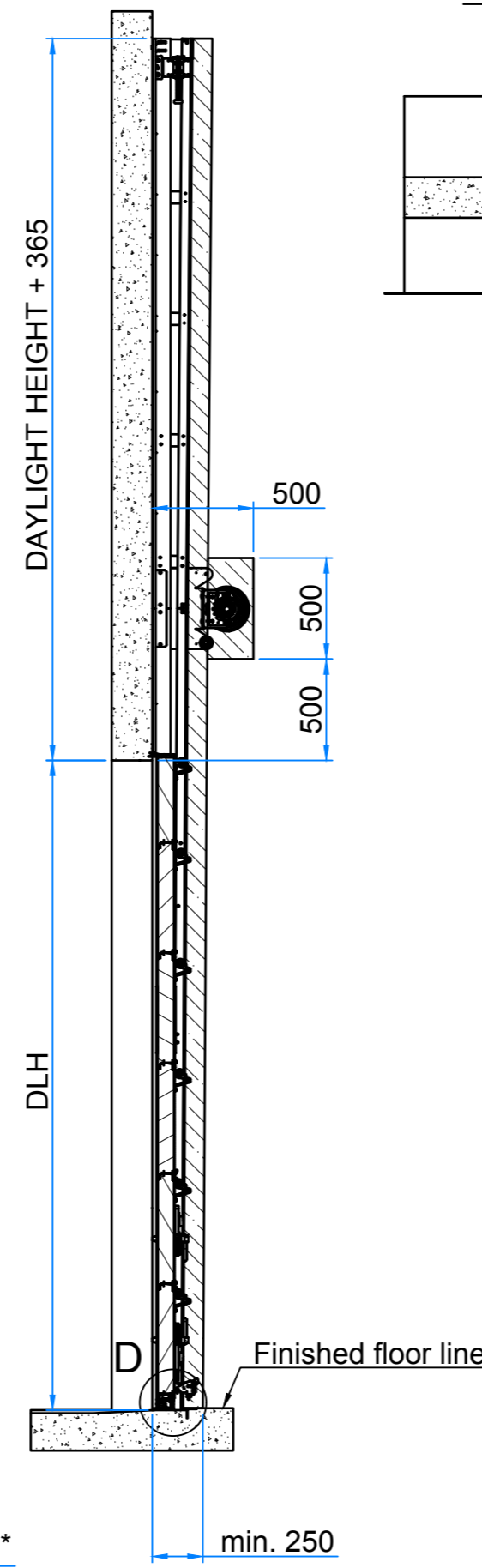
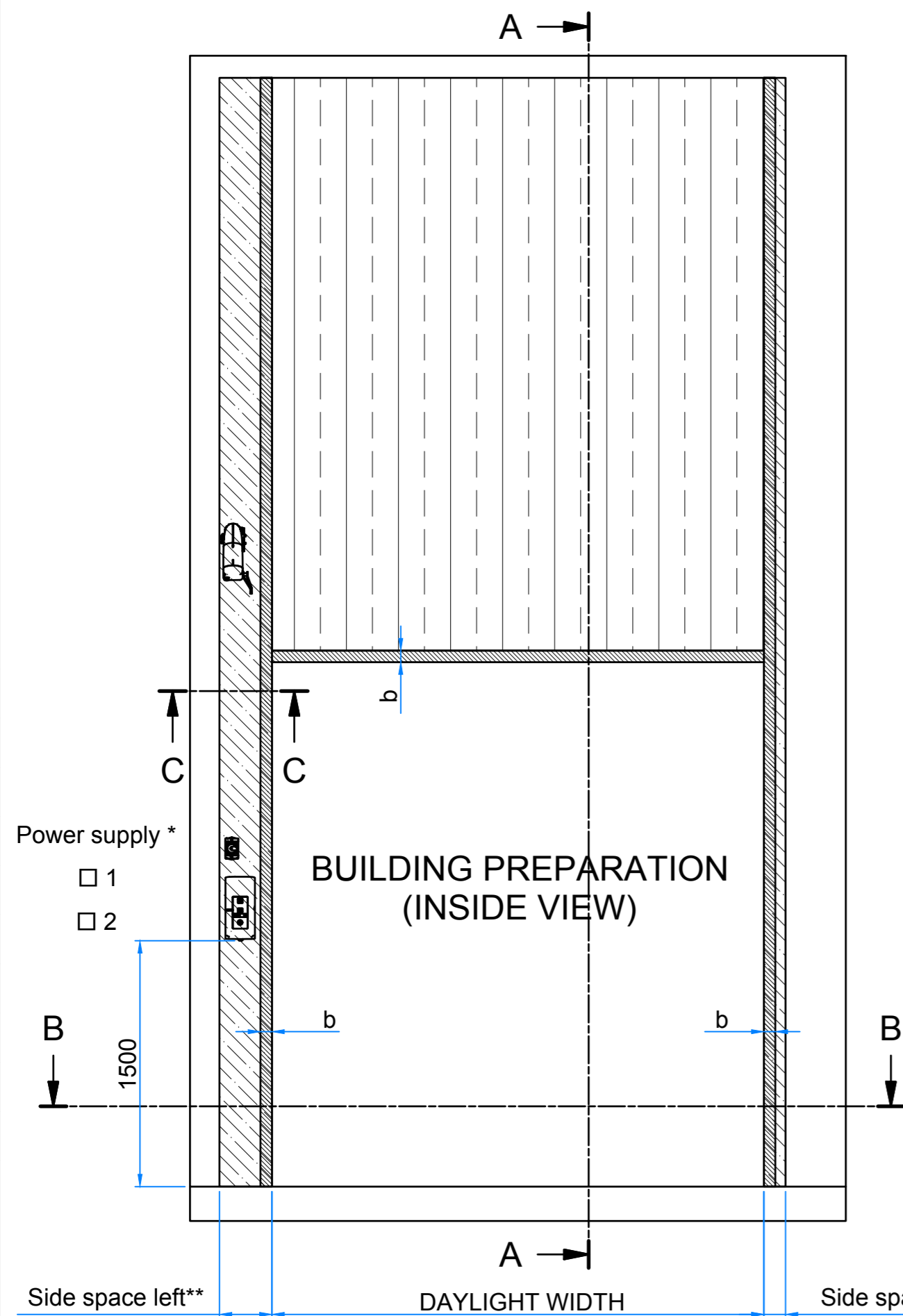


This drawing will remain our property. The drawing must not, without our knowledge, be copied or multiplied, shown to or in any other respect made known to third parties nor be used for production. Transgression will be prosecuted according to existing law.



Installation frame, integrated in or securely fixed to the building.

| Installation frame | | |
|--------------------|-----------------------|--------------------------|
| Material | Width b (minimum) | |
| Steel | 70 mm while t > 2mm | <input type="checkbox"/> |
| Wood | 70 mm while t > 100mm | <input type="checkbox"/> |
| Stone/Concrete | 70 mm while t > 100mm | <input type="checkbox"/> |

t = Material thickness

Required free space for the door above the opening, includes the whole marked area above the opening.

Required free space around the door guiding.

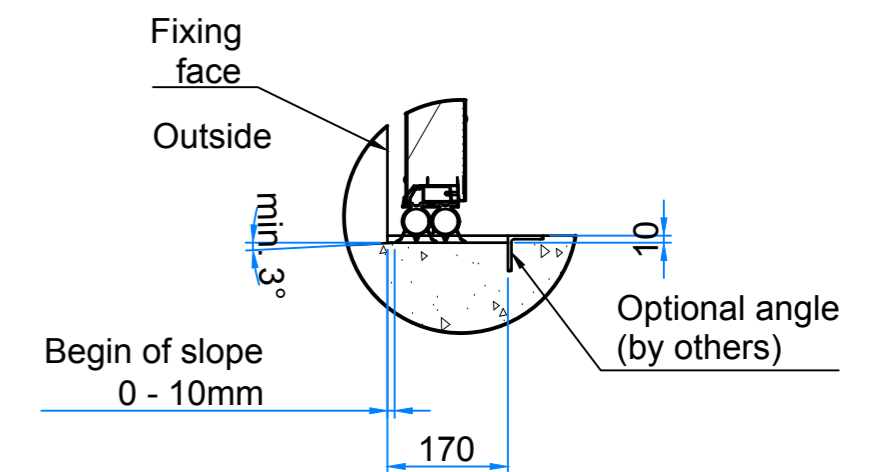
*Power supply for operator

- 1) Alternative 1
 - Phase, 230V 10 amp (CEE wall socket or isolator switch) to be located within 0,5 m from the operator (by others)
- 2) Alternative 2 (if S then power-supply to CU)
 - Phase, 230 V 10 amp (CEE wall socket or isolator switch) to be located adjacent to the control unit (by others)

| **Minimum Side space per side | |
|-------------------------------|------------|
| Operator mounted | Side space |
| None | 110 |
| Operator - no ICH*** | 311 |
| Operator + ICH | 351 |

*** ICH: Intergrated Chain Hoist on Operator

NOTE:
 Leveled threshold not recommended
 To reduce possible water ingress apply:
 a) 10mm height difference
 or
 b) slope min. 3°



| | | | | | | | | | |
|----------------------|----------|-----------------|------------------|----------|--------|-----------------|------------------|-------------|---|
| Contact | | | | | | | | | |
| Pos | Quantity | Day light width | Day light height | Headroom | Depth | Side space left | Side space right | Track angle | Lintel Offset |
| | | | | | | | | °(deg) | <input type="checkbox"/> None <input type="checkbox"/> 40 mm <input type="checkbox"/> 60 mm |
| Quote / Order Number | | Project: | | | Notes: | | | | |
| Date | | | | | | | | | |
| Drawn by | | | | | | | | | |
| Rev. | No. | AN No. | Revision | Date | Drawn | Appr. | | | |

| | | | | | |
|-------------|-------------|---|------------------------|----------------|--------------------|
| Drawn ML | Appr. BV | Dimensions without specified tolerances refer to: Valid at date of latest rev. | Scale | File | Size A2 |
| | | Replaces | | | |
| | | ARCHITECT/BUILD. PREP. 1082 - VL (without beam) | Status P | AN No. 9547 | Date 2018-01-03 |
| | | ELECTR. SIDE OPER. | Drawing No. K068925 | Rev. | |