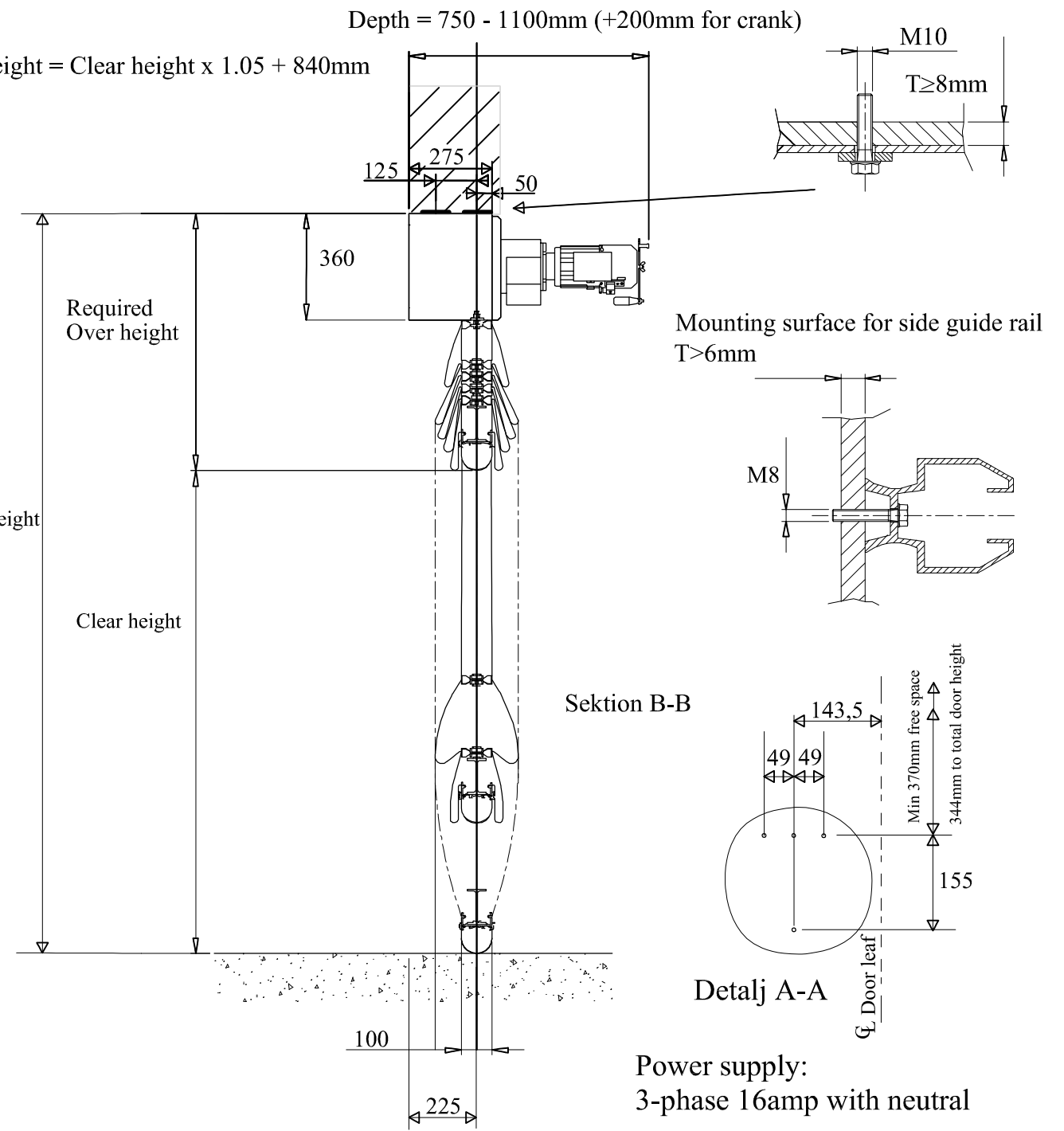
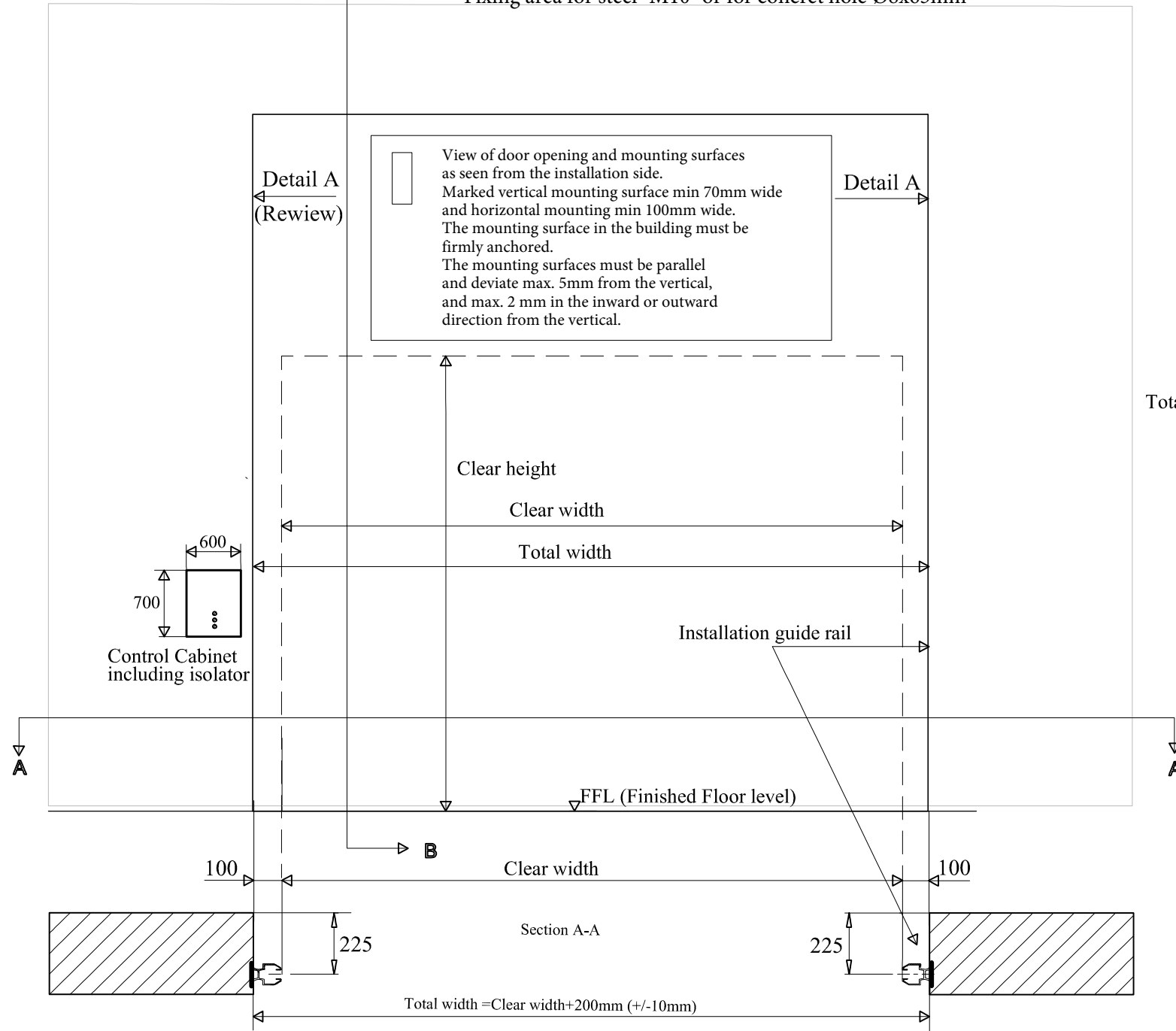


Detail A: VL3110 can also be in combination with self supporting beam.
 The upper mounting surfaces than will be replaced with consols fixed according to holes in "Detail A".
 Fixing area for steel "M10" or for concret hole Ø8x65mm

Depth = 750 - 1100mm (+200mm for crank)
 Total height = Clear height x 1.05 + 840mm



Liability clause
 This is a sketch, please do not scale

ASSA ABLOY Contact

Pos	Quantity	Clear width	Clear height	Req. Over height	Total height	Total width	Side space left	Side space right
							100	100

Qoute/Ordernumber	
Date	
Drawn by	

Project:

Notes:

ASSA ABLOY

ASSA ABLOY Entrance Systems

Homepage: www.assaabloyentrance.com